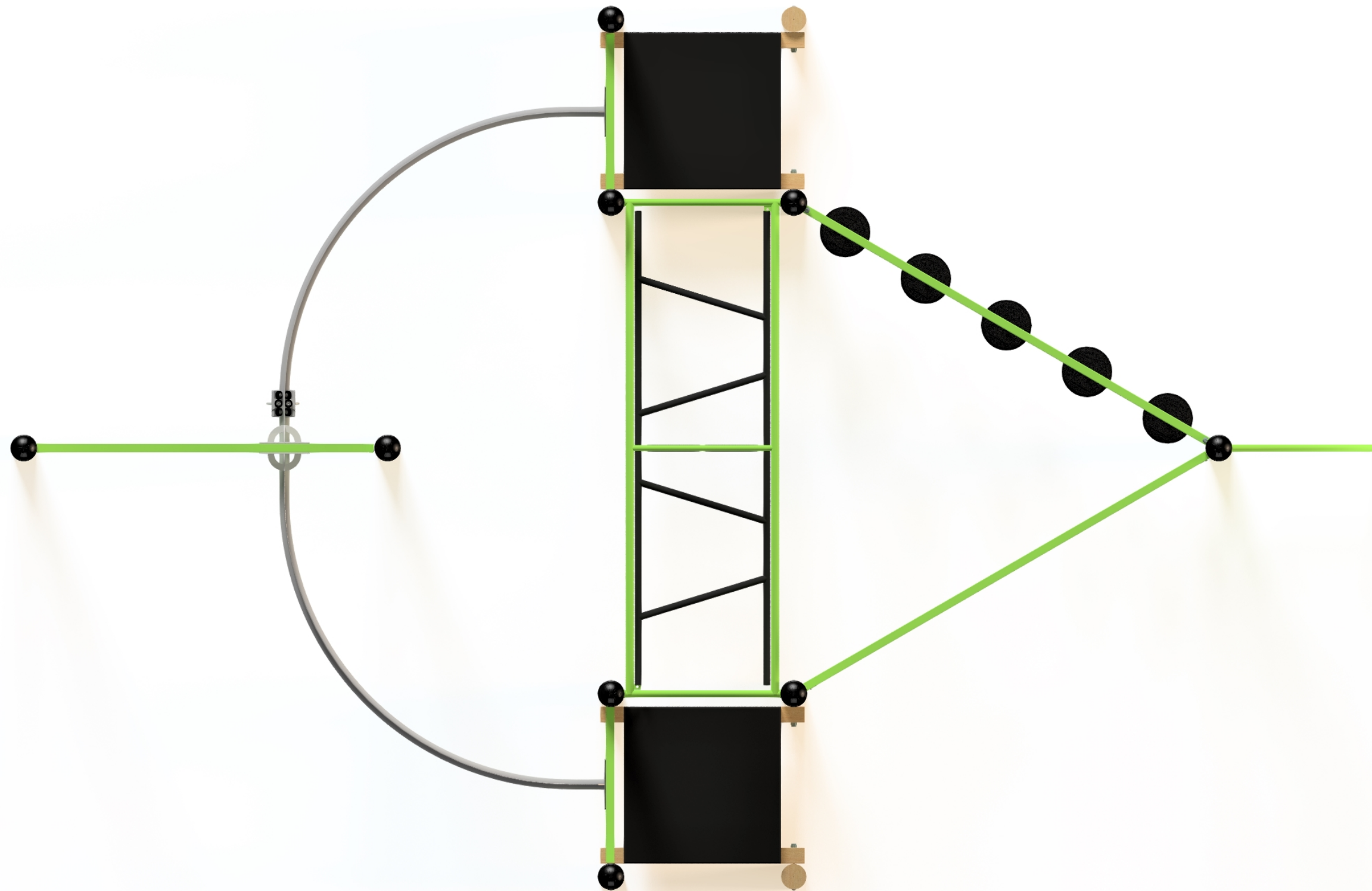
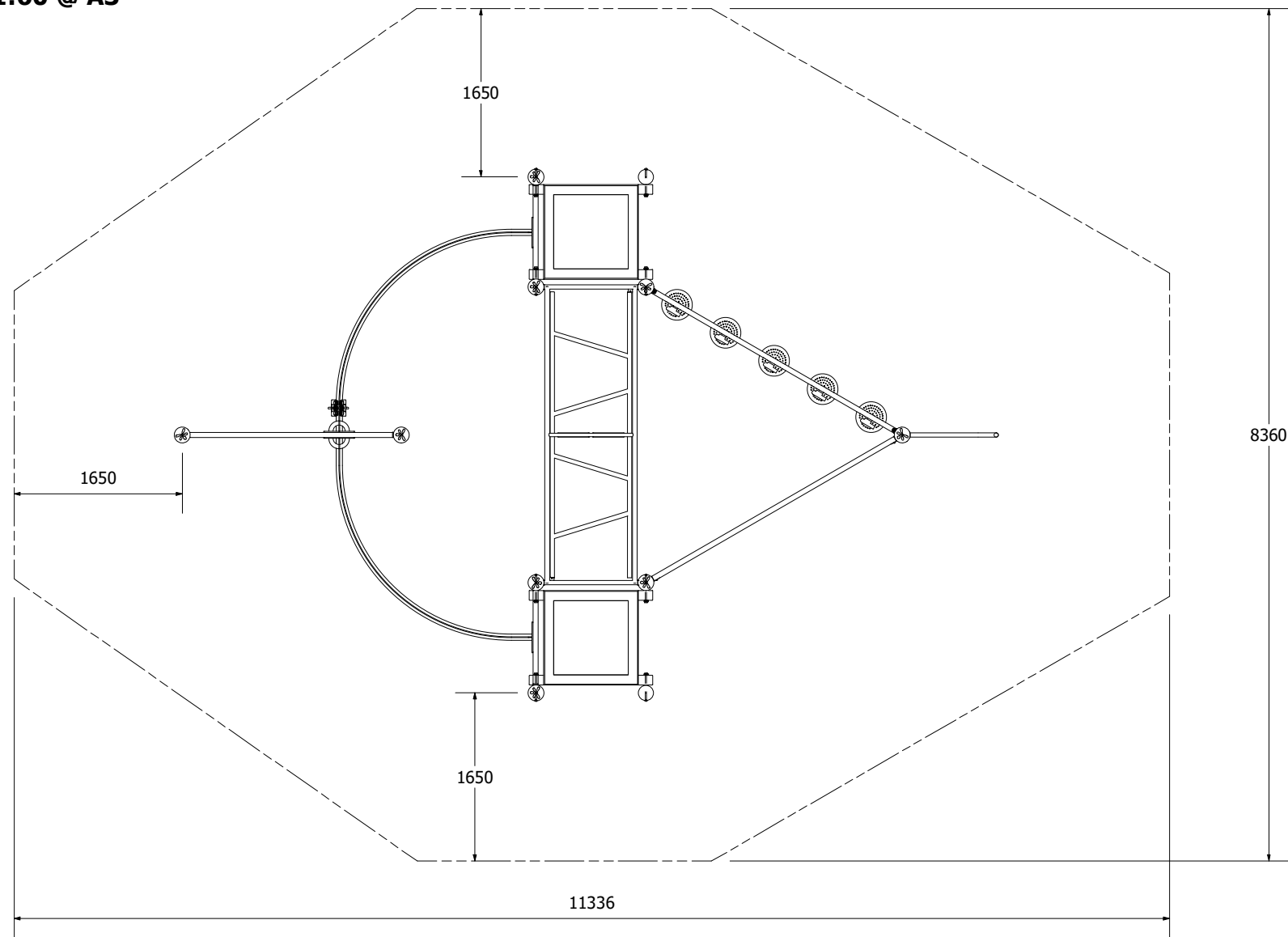




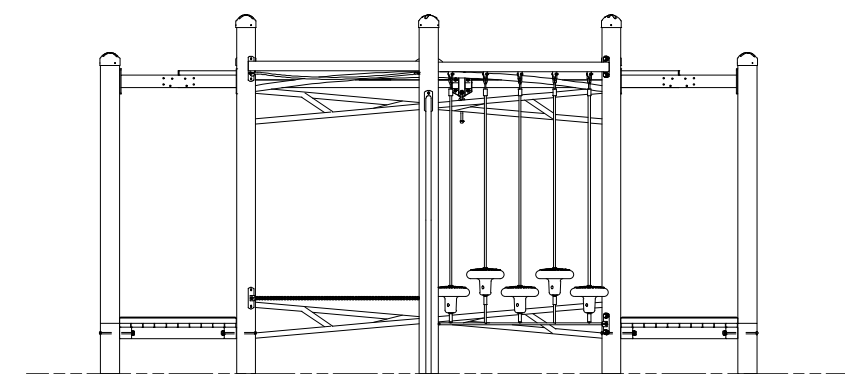
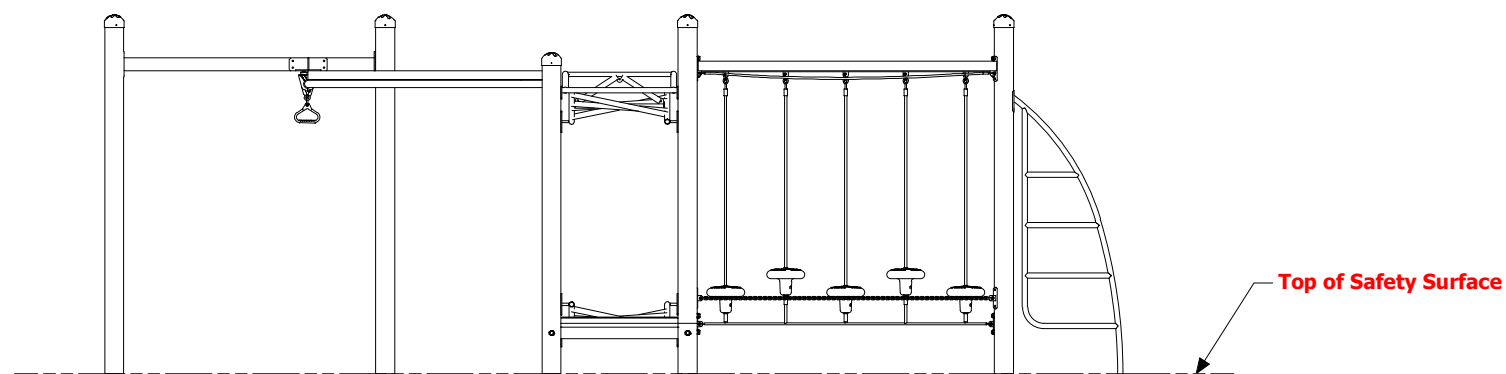
Xtreme Fitness 554 - TP



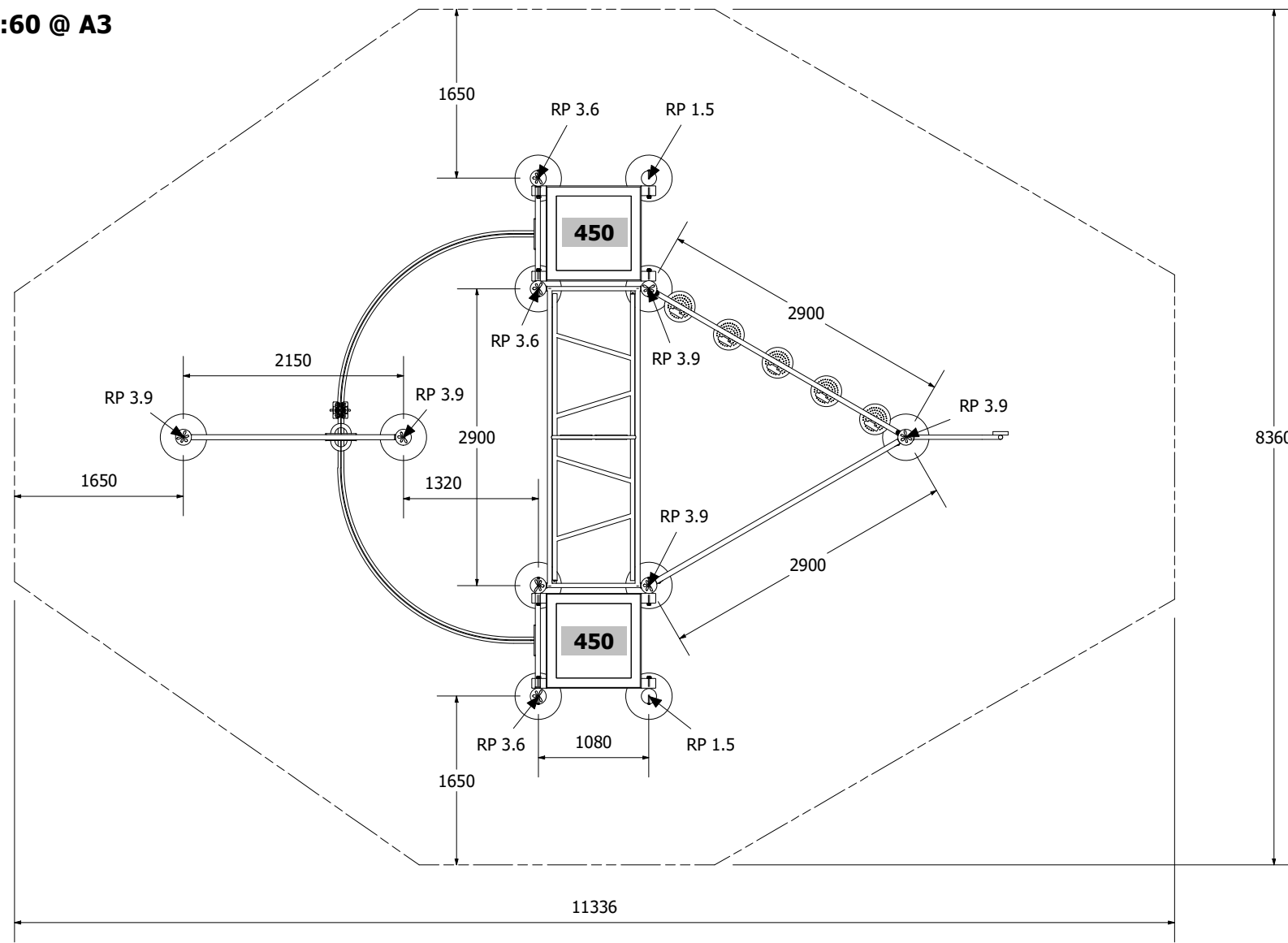
1:60 @ A3



Technical Information	
Main Dimension	11336x8360mm
Total Area	72m2
Max FHO	2500mm
Heaviest Part	-
Compliant to	NZS 5828:2015 AS 4685:2021 EN 1176:2007



1:60 @ A3



Technical Information	
Main Dimension	11336x8360mm
Total Area	72m2
Max FHOE	2500mm
Heaviest Part	-
Compliant to	NZS 5828:2015 AS 4685:2021 EN 1176:2007

A (1 : 20)

