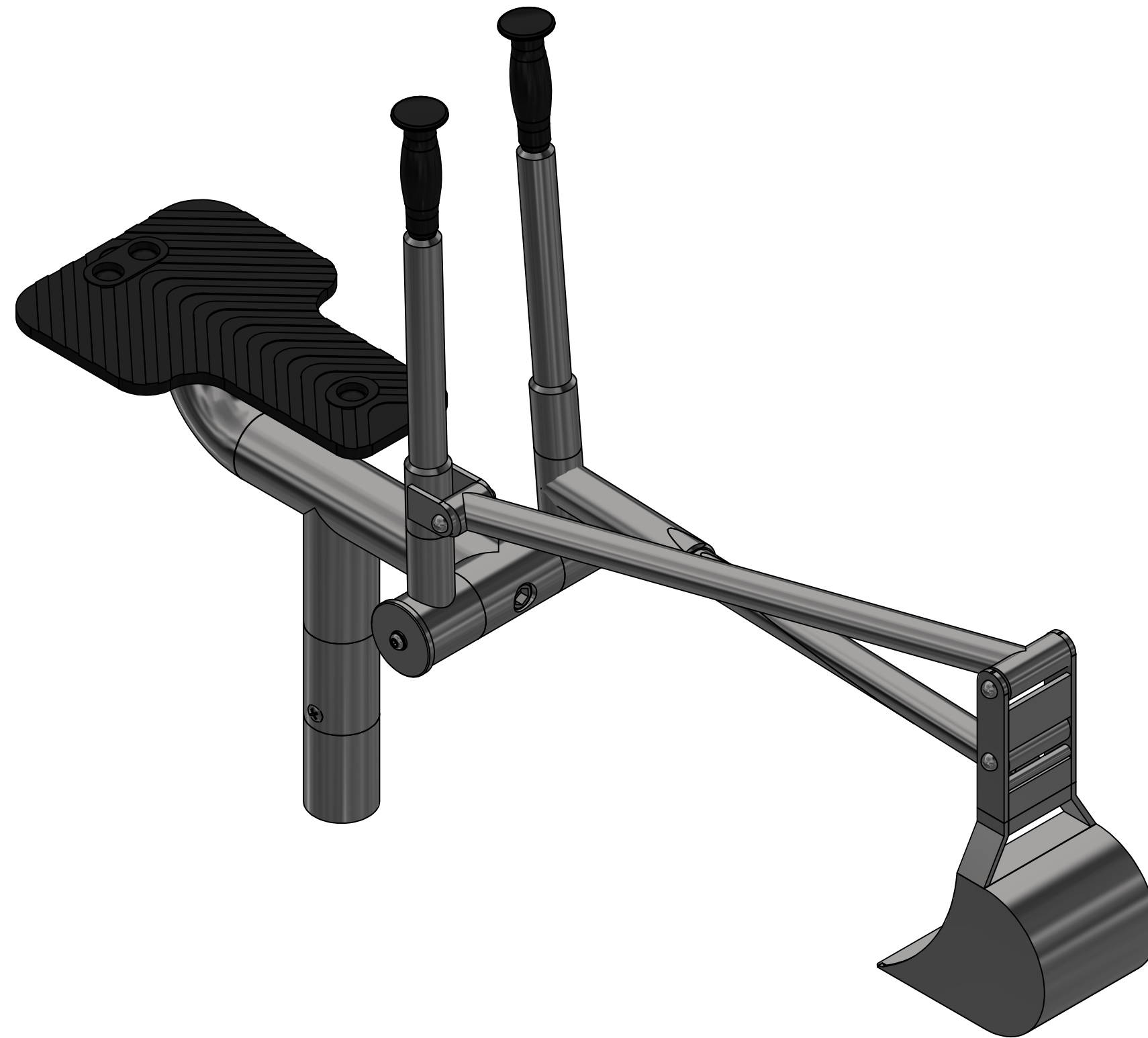
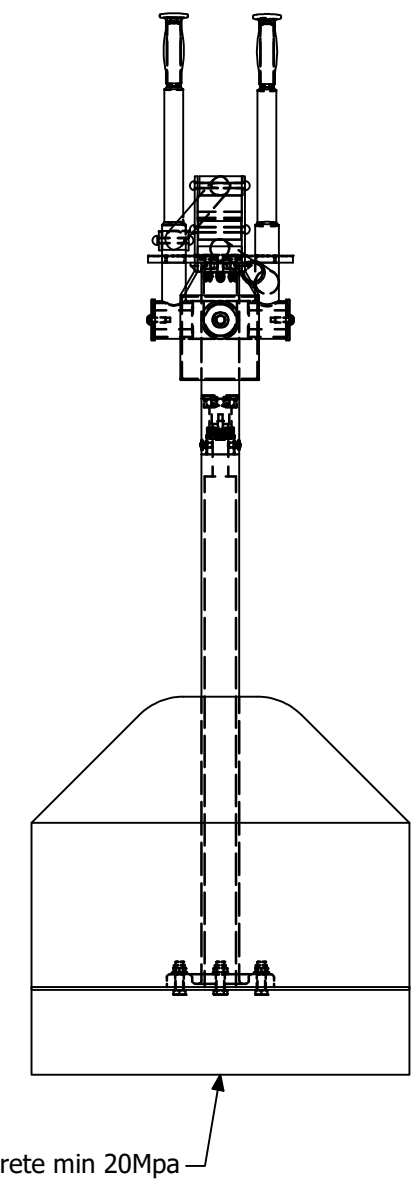
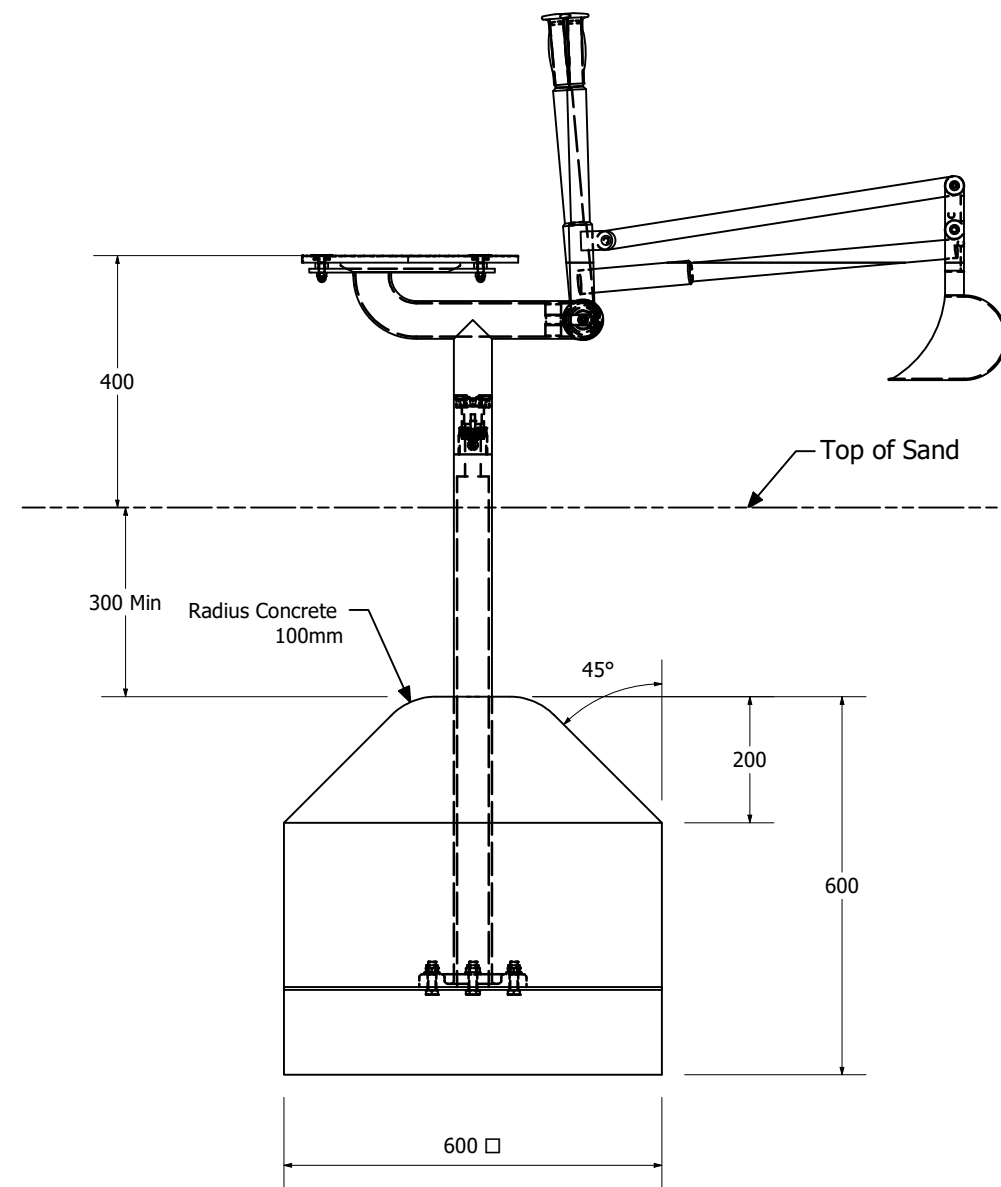
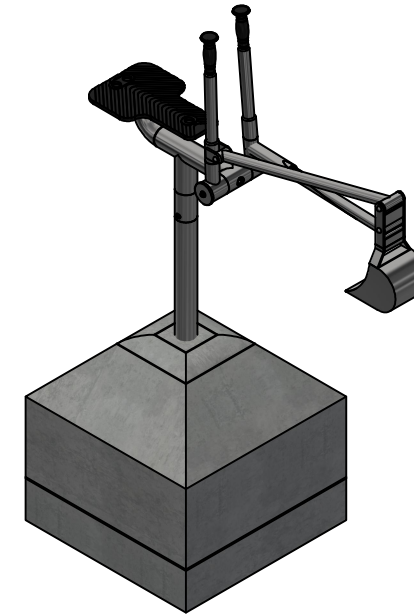
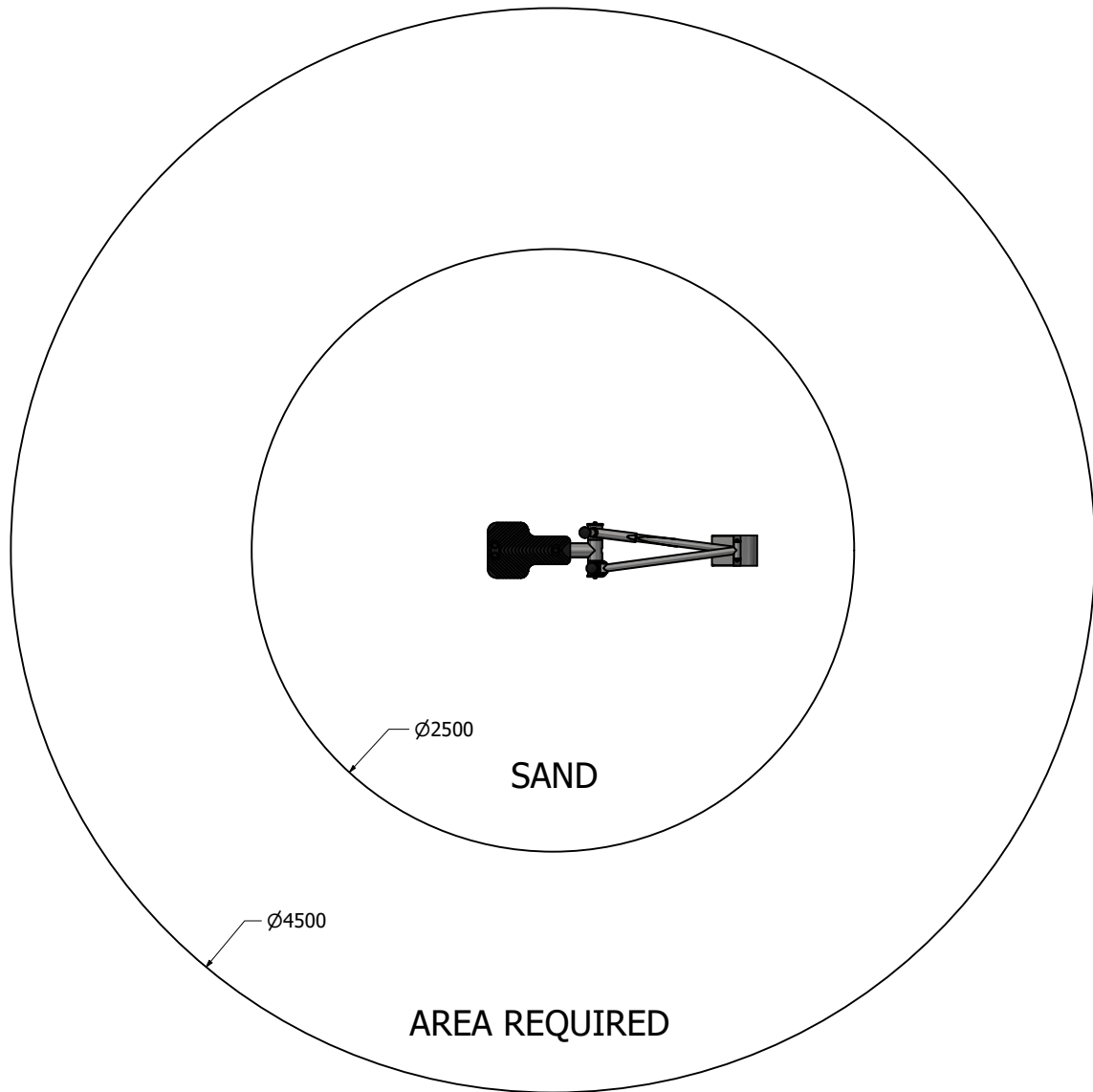


Sand Digger 221232

SADIGSS



SADIGSS



Technical Information	
Main Dimension	Ø4.5m
Total Area	16 sqm
Max FHO	0.4m
Heaviest Part	
Compliant to	NZS 5828:2015 AS 4685:(series) EN 1176:2008