

METAPLAY SWING - 2 BAY STANDARD 2VR

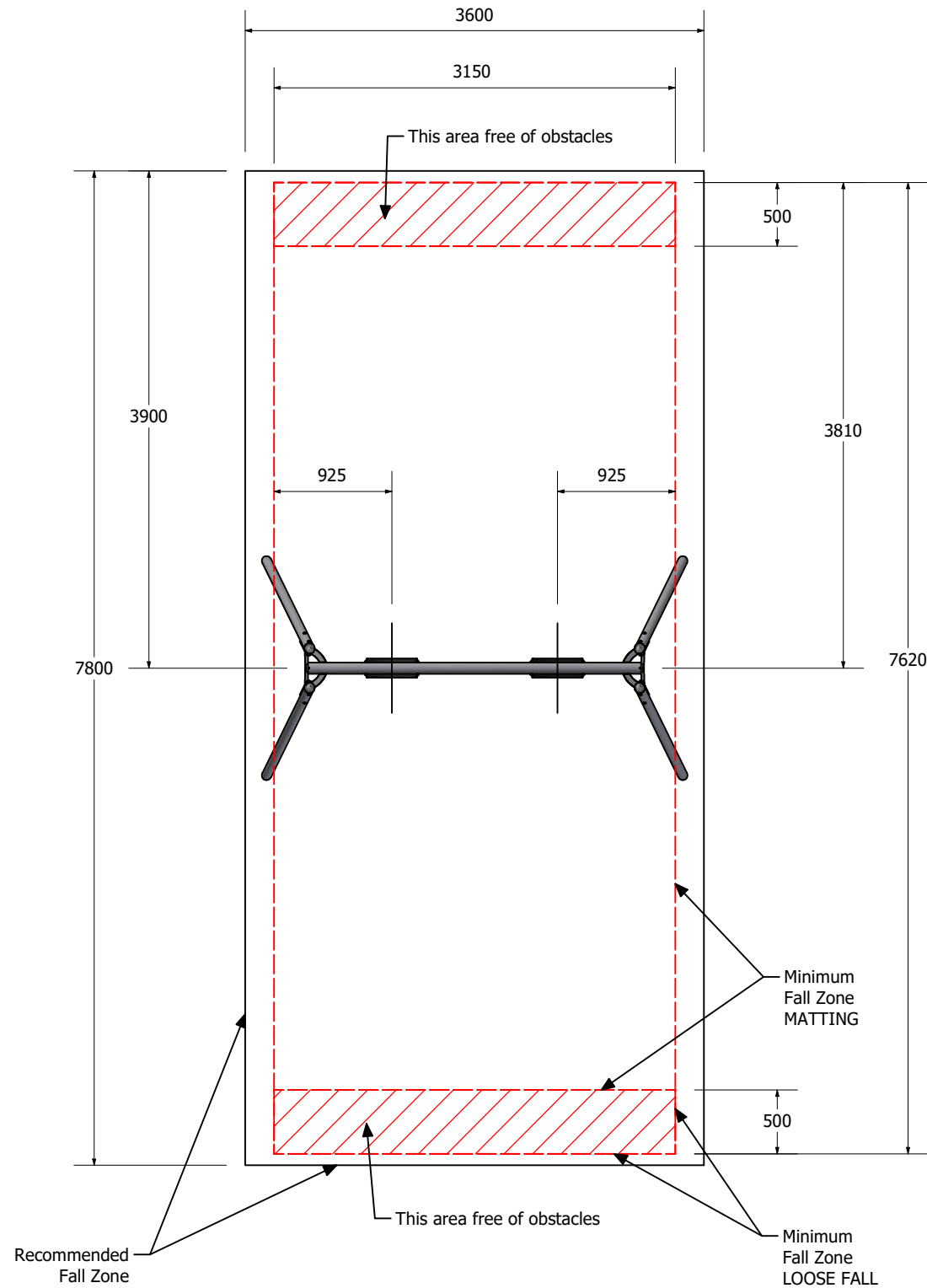
SWMP2B01H



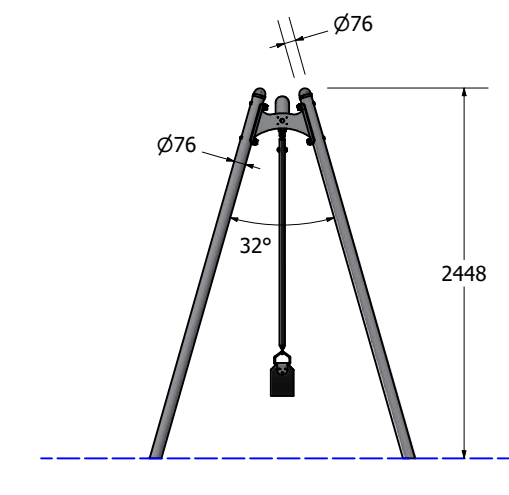
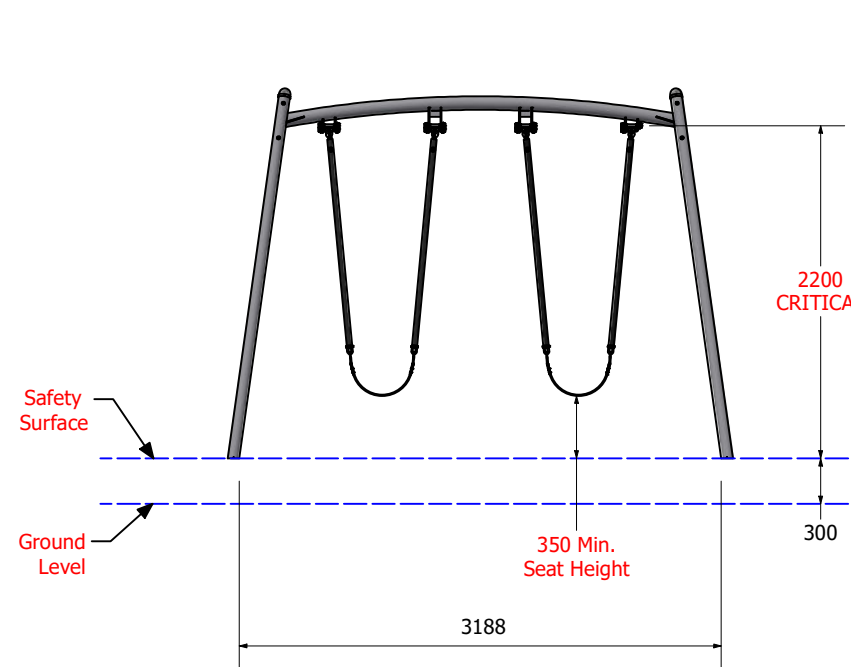
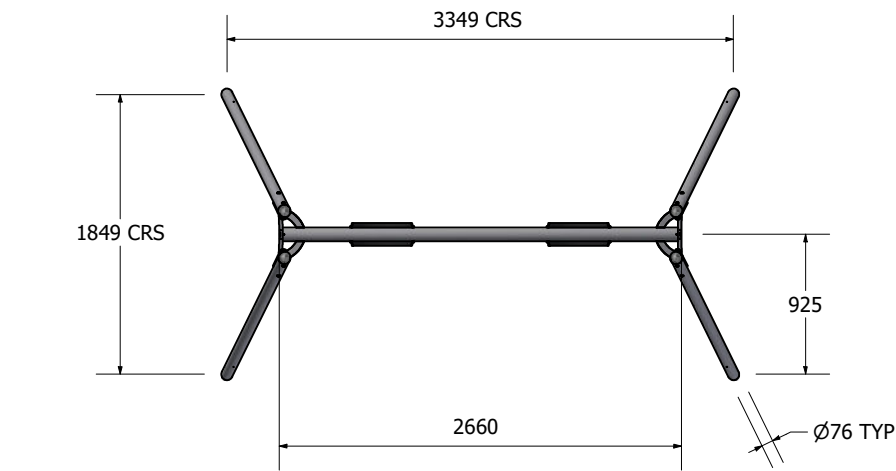
METAPLAY SWING - 2 BAY STANDARD 2VR

SWMP2B01H

FALLZONE



DIMENSIONS AT GROUND LEVEL



Technical Information	
Main Dimension	7800 x 3600
Total Area	28 sq/m
Max FHO	1300 mm
Heaviest Part	50 kg
Compliant to	NZS 5828:2015 AS 4685:(series) EN 1176:2008