


TIMBAPLAY SWING - 6 BAY 2 VR - 2 TWC - 2 INF


SWTP6S05




Age groups appropriate for:

 Toddlers & Pre-Schoolers

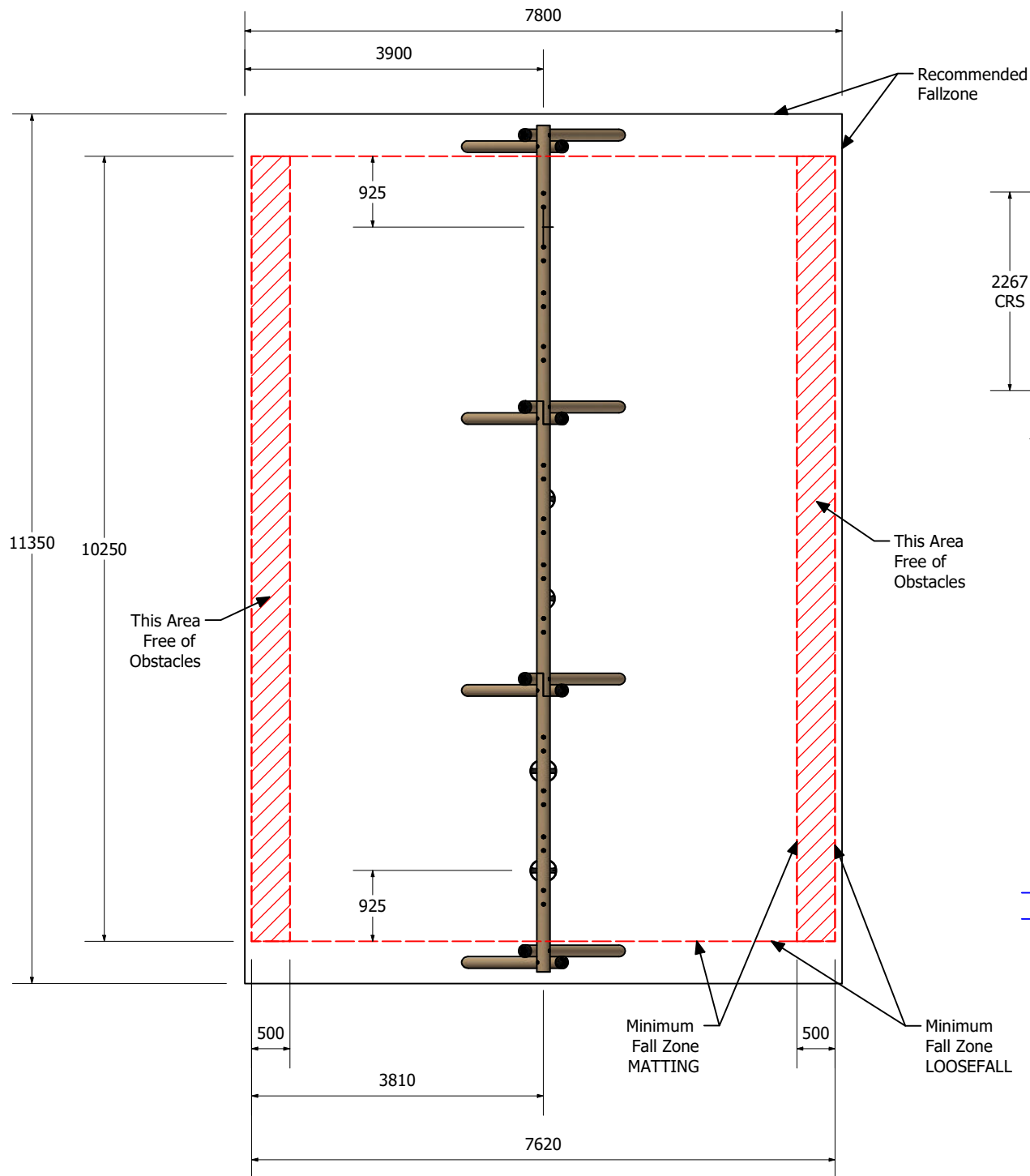
 Primary to Big Kids

 Teenagers to Young Adults

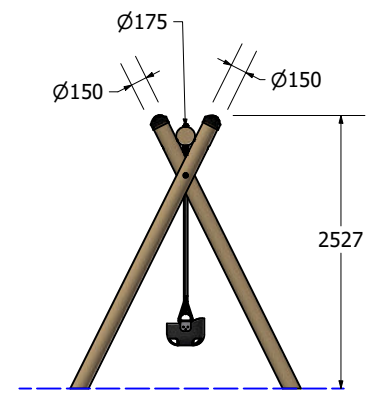
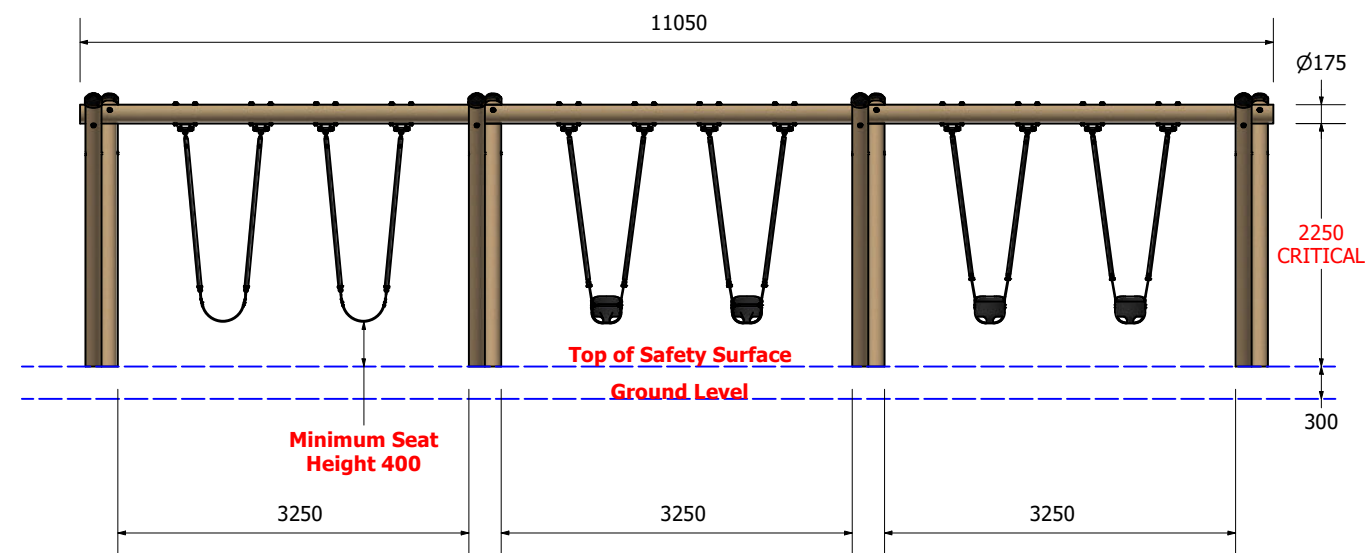
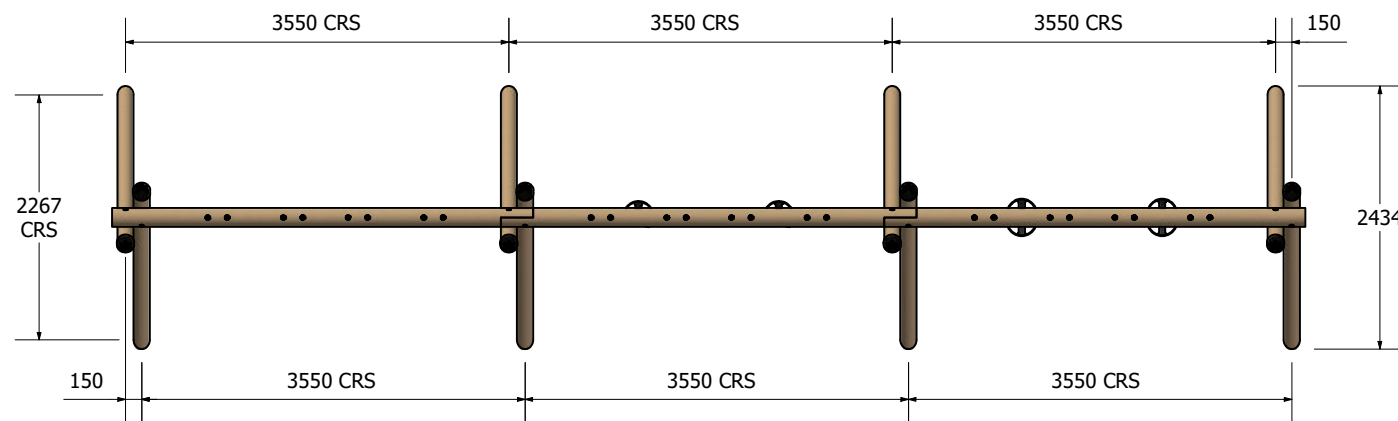
 Whole family / Young at Heart

SWTP6S05

FALLZONE



DIMENSIONS AT GROUND LEVEL



Technical Information	
Main Dimension	7.8m x 11.35m
Total Area	89 sq/m
Max FHOF	1300
Heaviest Part	100 KG
Compliant to	NZS 5828:2015 AS 4685:(series) EN 1176:2008