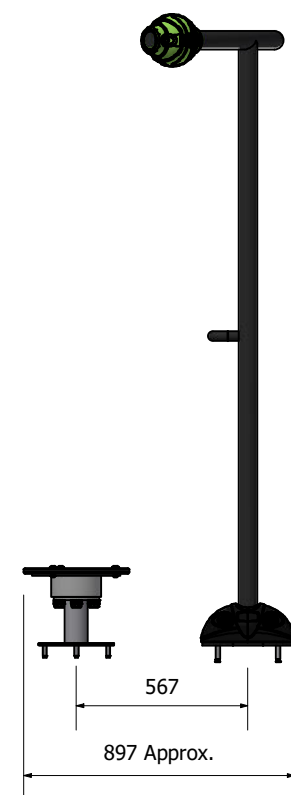
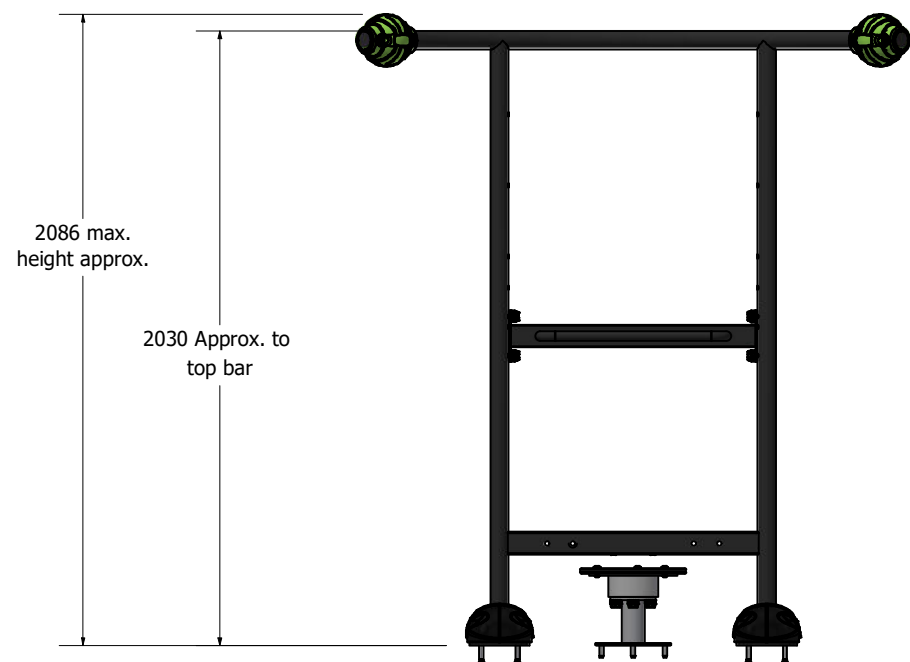
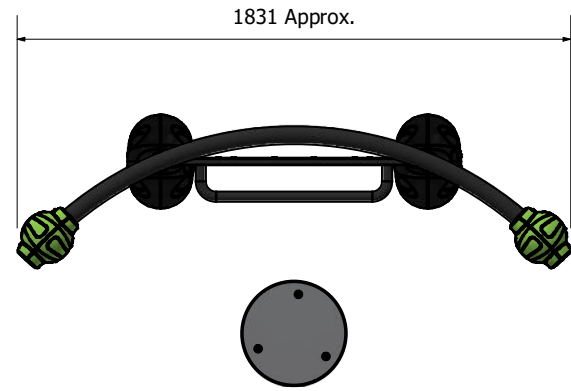


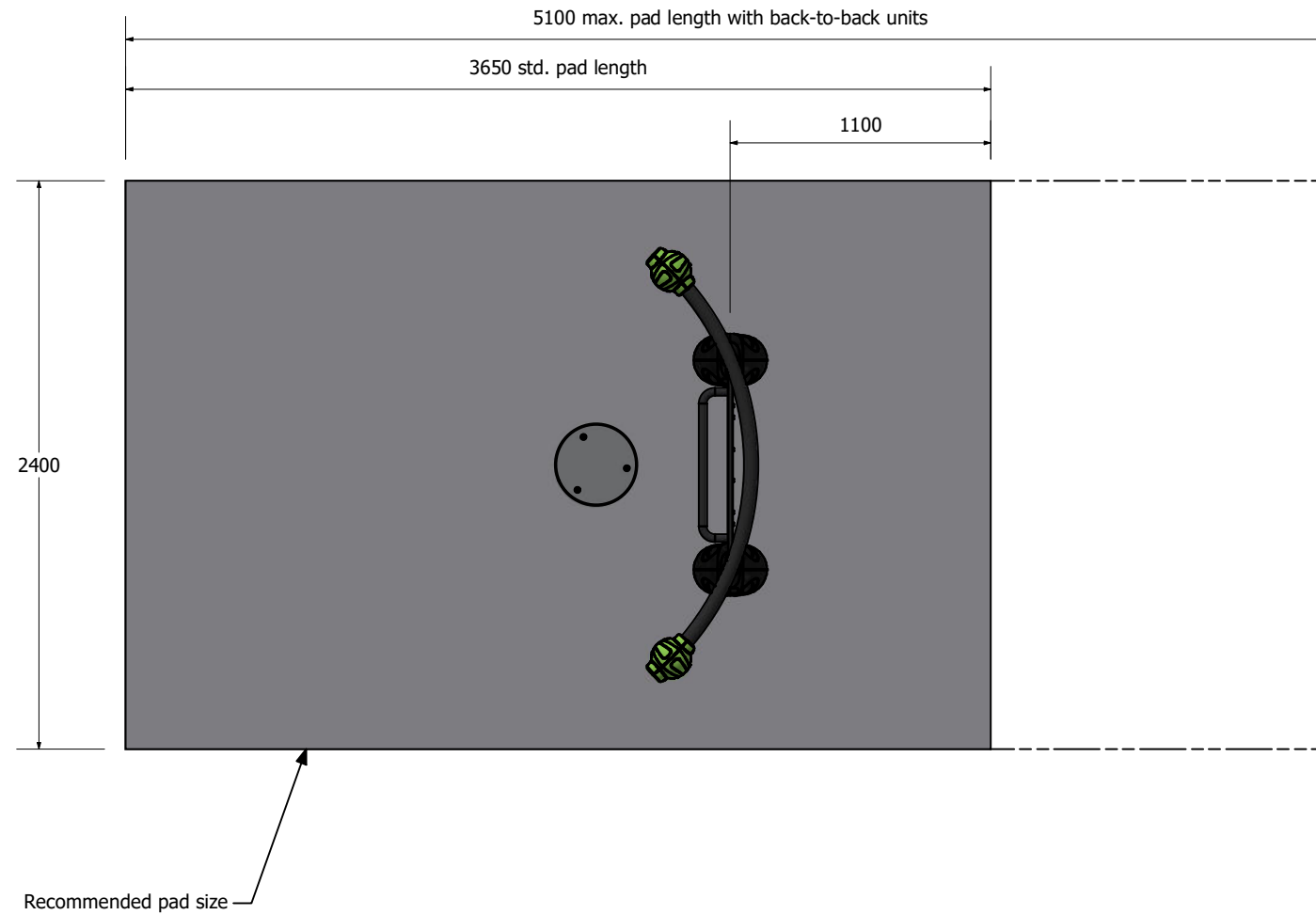
Max Health Fitness Station - Twister, OGCOTW



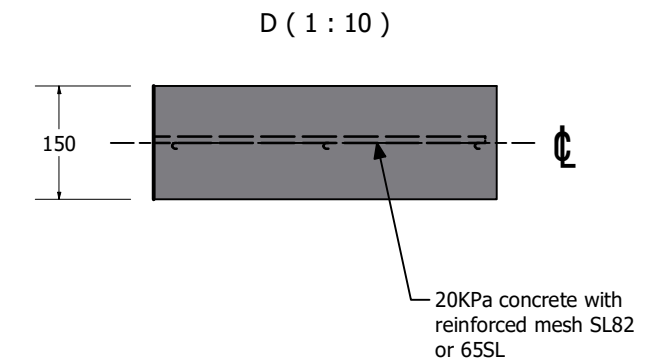
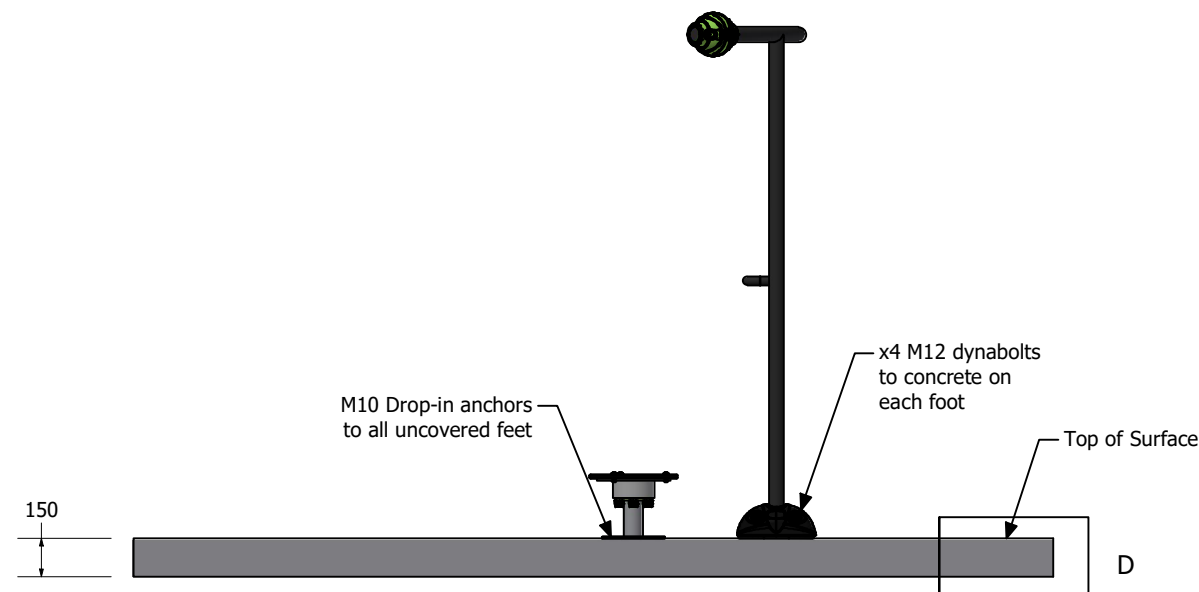
Flex Frame with Twister.

Add another Flex Station to make it a combo.

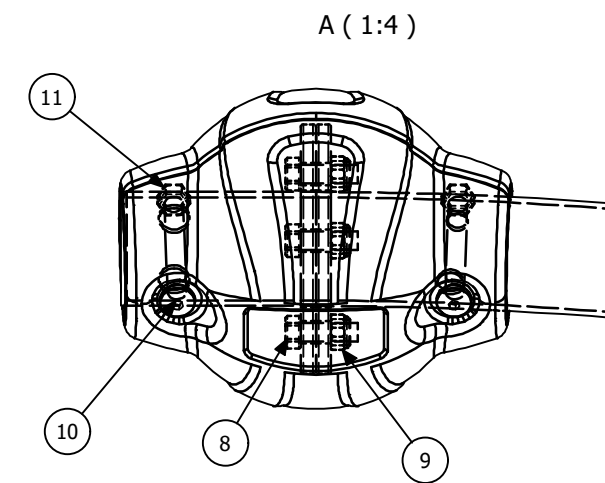
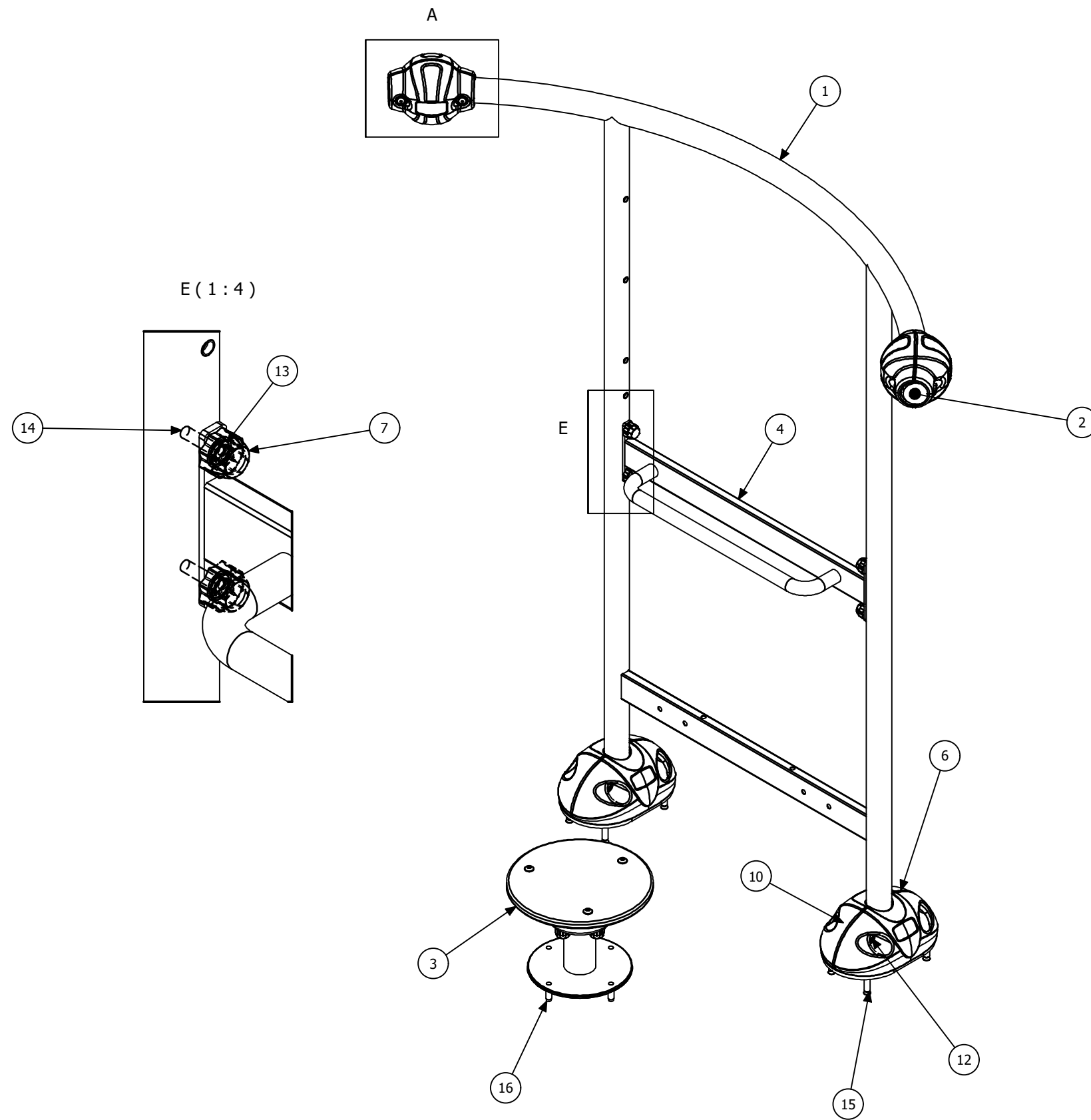
Max Health Fitness Station - Twister, OGCOTW



Note: slab shown in standard across fitness station range. Size may be altered depending on equipment configuration.



Max Health Fitness Station - Twister, OGCOTW



PARTS LIST			
ITEM	QTY	PART NUMBER	DESCRIPTION
1	1	OGFV2FR	Duo Station Flex Frame
2	2	OGFV2EC	Fitness Frame End Cover Ø132 x 103mm
3	1	OGFV2TFM	Twister - Floor Mounted
4	1	OGFV2CBH	Cross Bar with Handle 820 x 170 x 145mm
5	2	PLTIF00 - AP	Titan Flange Cover - Apple
6	2	PLOGFPC00	OGE Foot Plastic Covers - Black (Pair)
7	4	PLSCI10GY	Security Cover & Insert - 10mm
8	6	FAENB2404	M10 x 30mm Galv Set Screw
9	6	FANYN4400	M10 S/S 304 Nyloc Nut
10	8	FARBN4402	M10 x 20 S/S 304 (T45) Prolok Resytork Button Barrel Nut
11	4	FAENB2414	M10 x 80mm Galv Engineering Bolt
12	4	FARBS4414	M10 x 80 S/S 304 (T45) Prolok Resytork Button Machine Screw
13	8	FAFLW4402	M10 x 21 x 1.2 S/S Flat Washer
14	4	FAENB2406	M10 x 40mm Galv Set Screw
15	8	FASAD2513	M12 x 75 Galv Sleeve Anchor (Dynabolt)
16	4	FADIA5400	M10 SS 316 Drop in Anchor