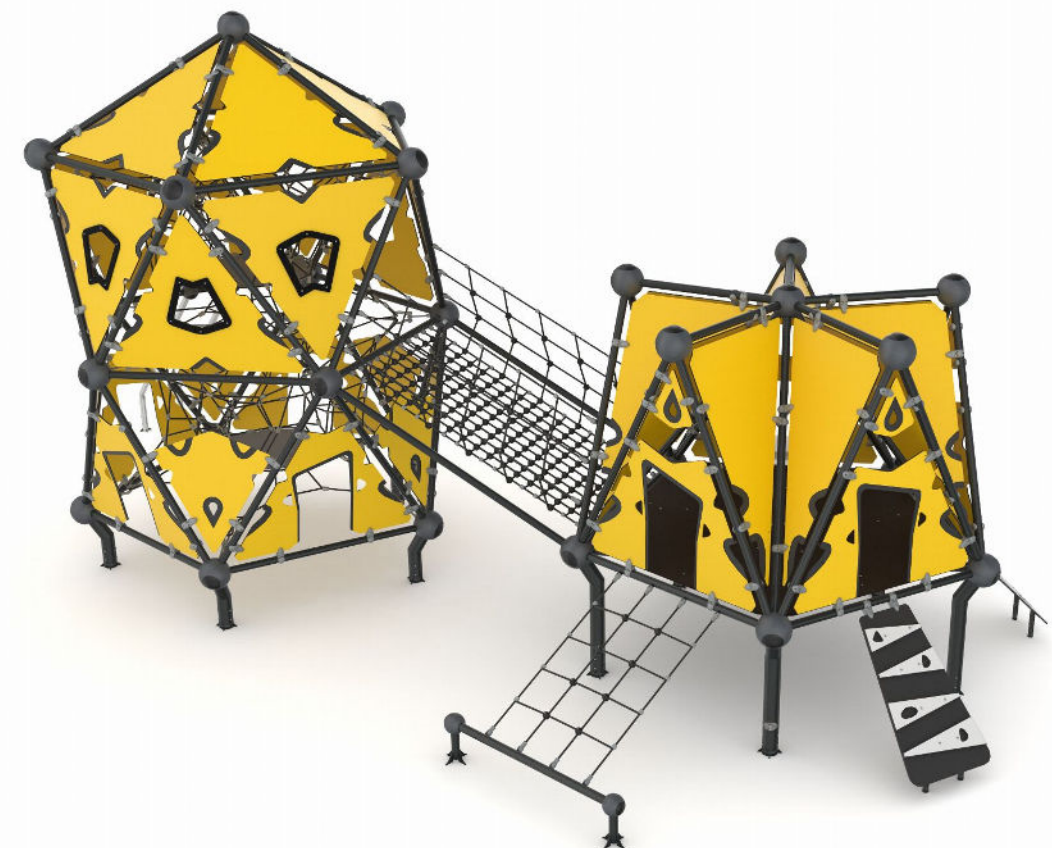
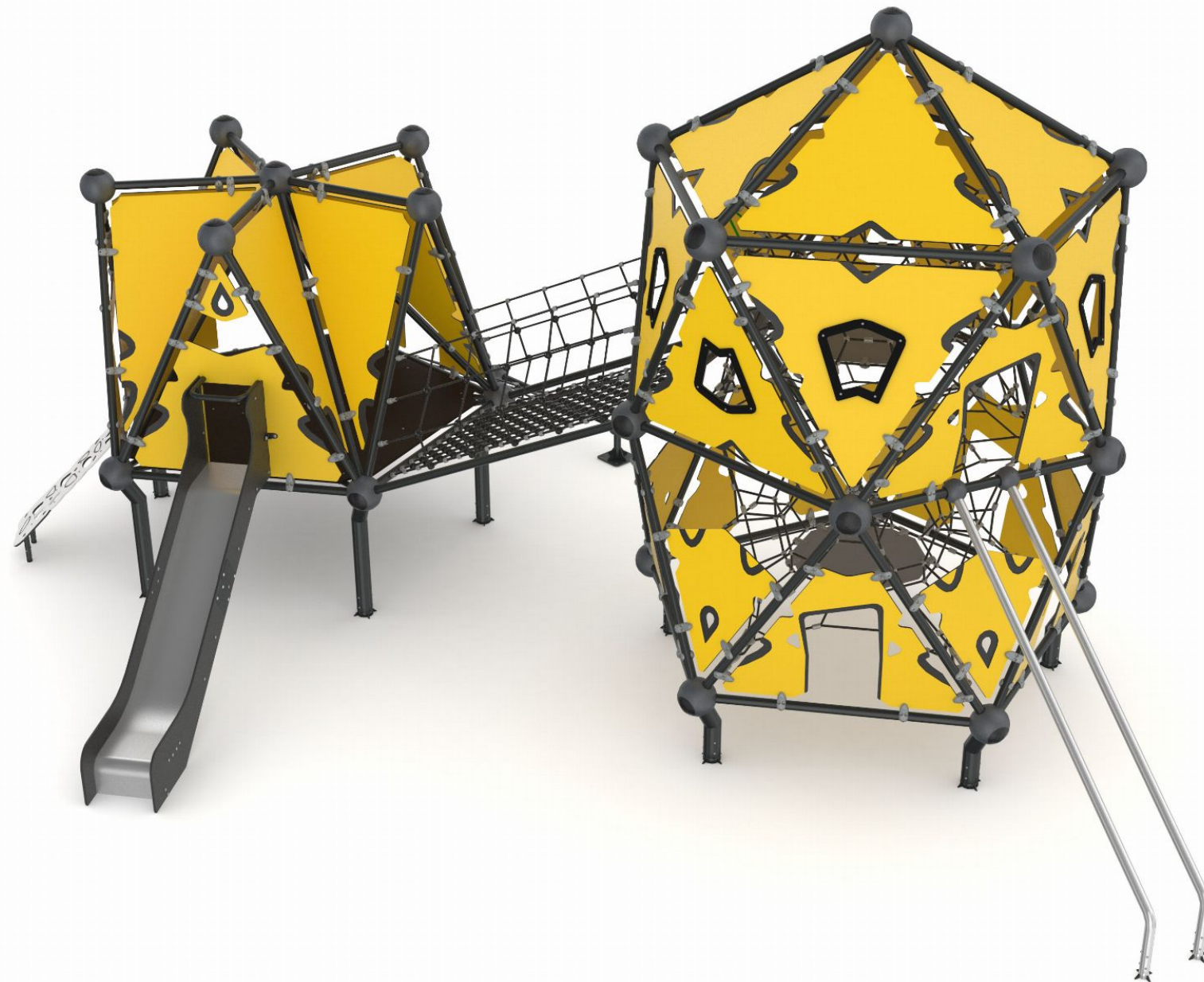
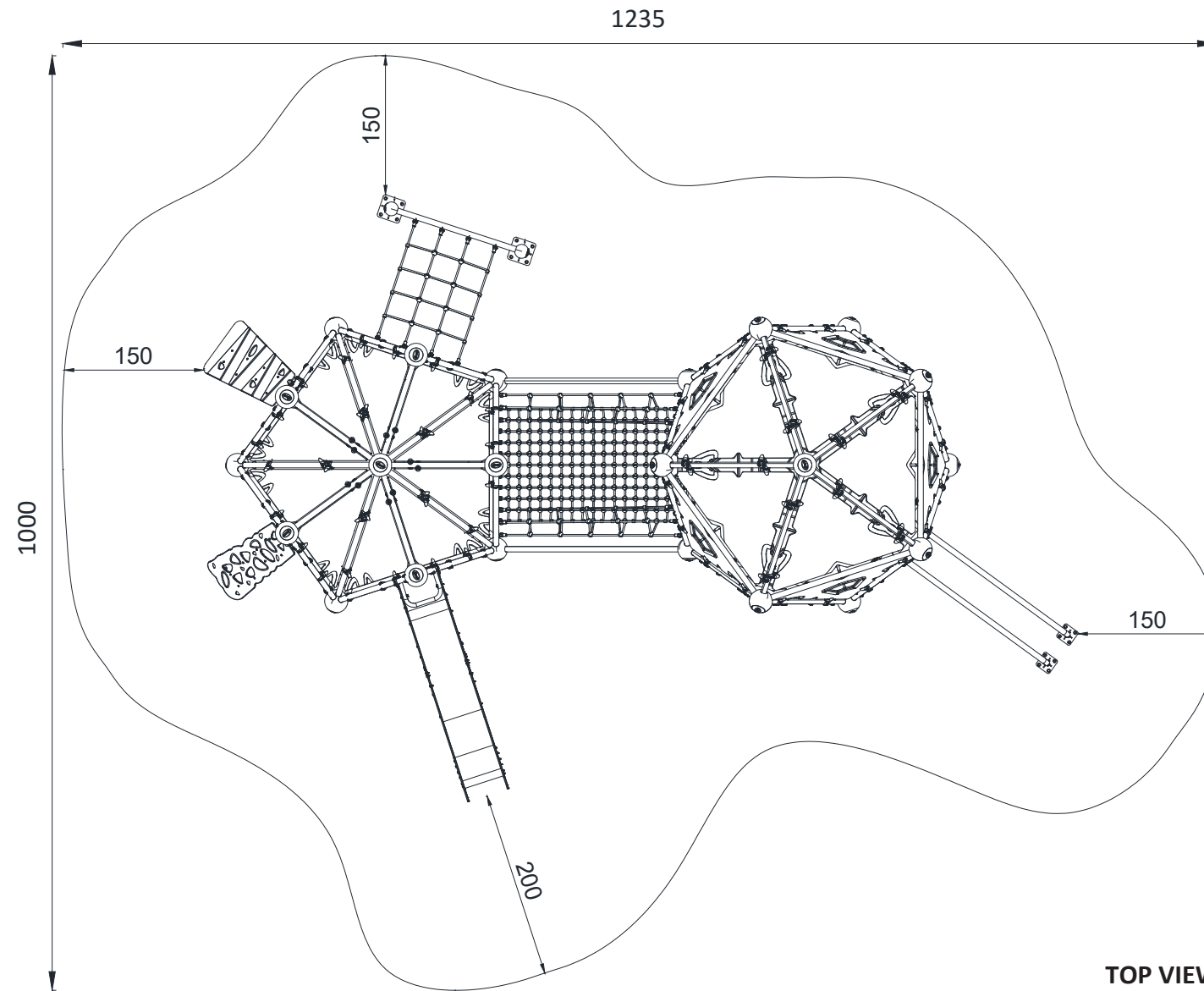


Jungle Series GGJS 1019-P

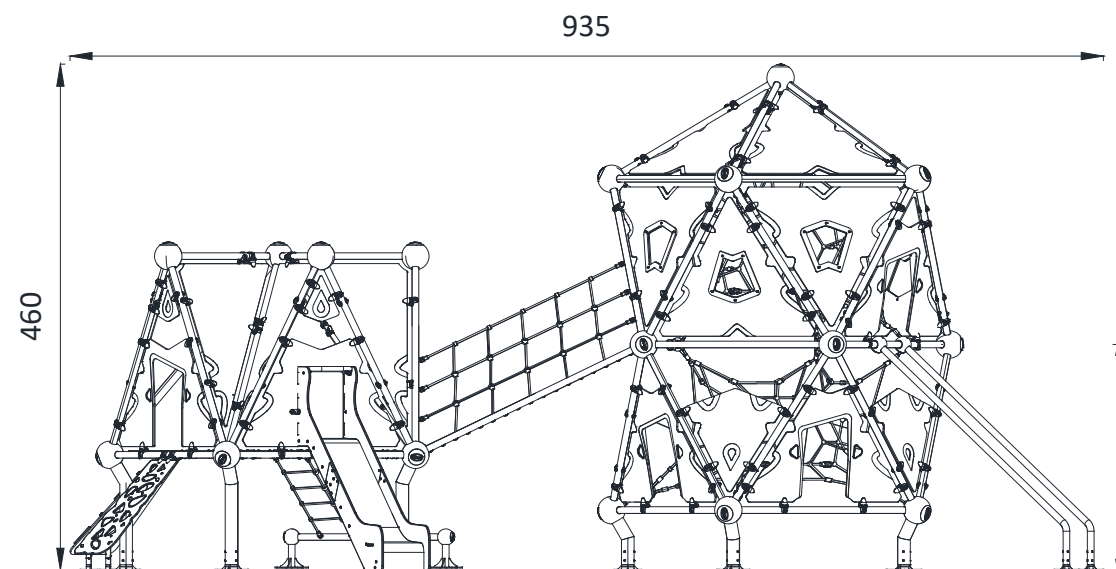


Jungle Series GGJS 1019-P

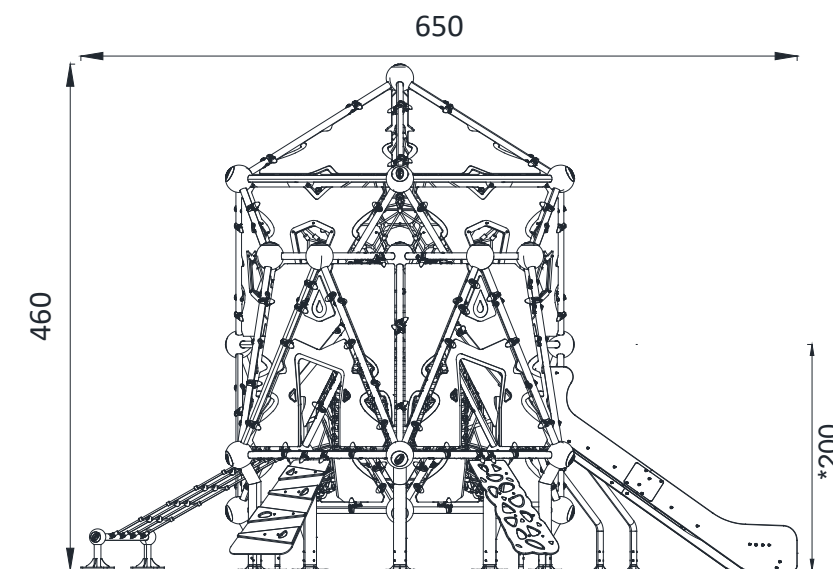


TOP VIEW

Technical Information	
Main Dimension (L x W x H)	9.35 x 6.5 x 4.6m
Safety Area	80.3 m ²
Max FHOH	2.0 m
Capacity	55
Compliant to	NZS 5828:2015
	EN 1176



FRONT VIEW



SIDE VIEW

*Maximum Fall Height. Dimensions shown are in cm