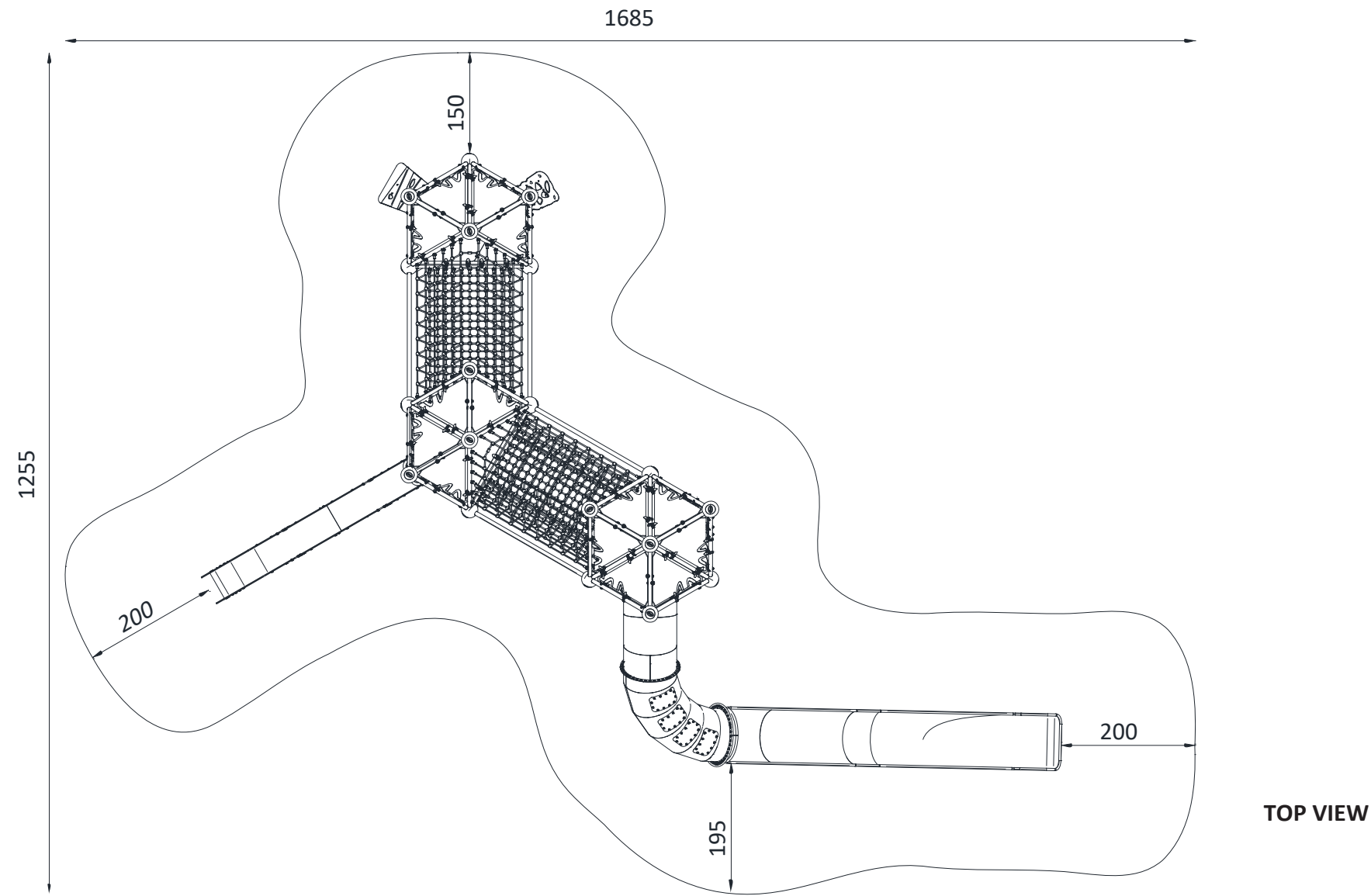


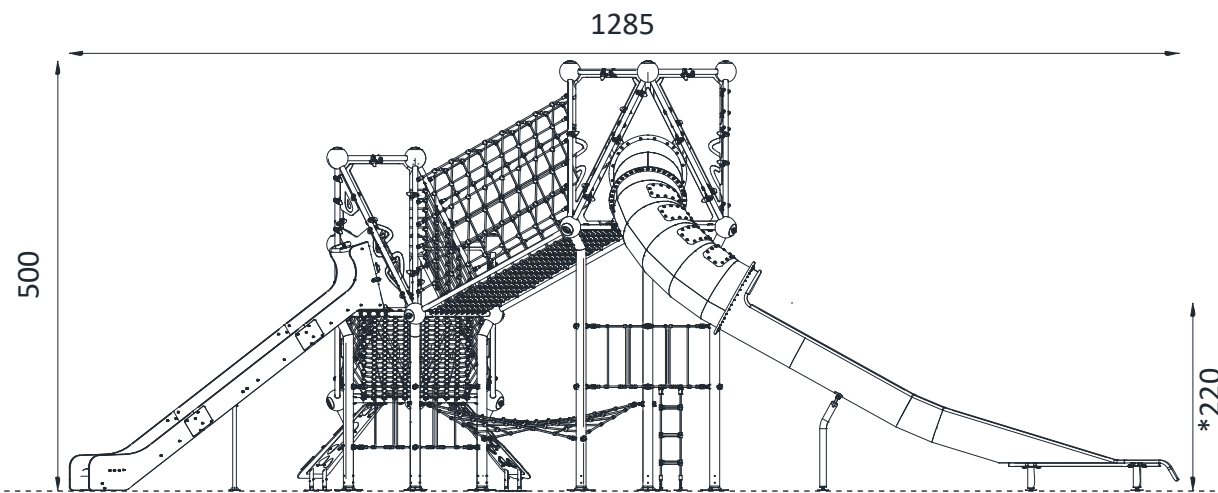
Jungle Series GGJS 1015



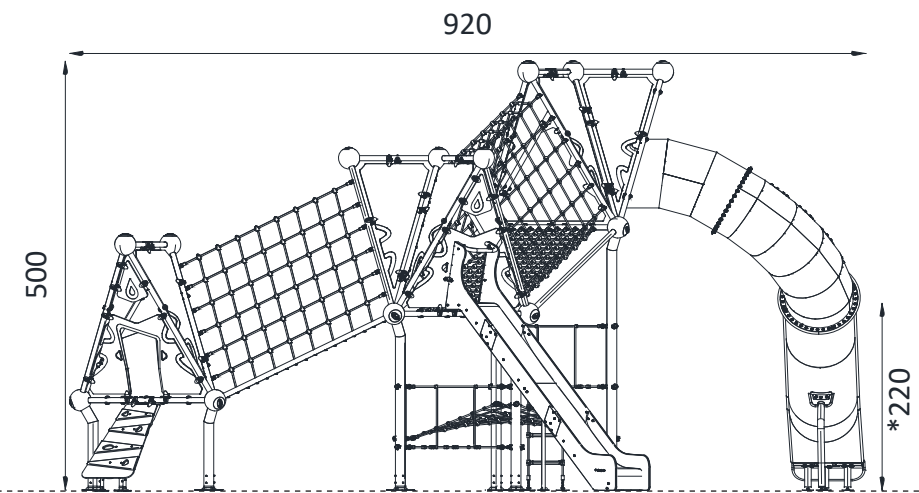
Jungle Series GGJS 1015



Technical Information	
Main Dimension (L x W x H)	12.85 x 9.2 x 5m
Safety Area	99.5 m ²
Max FHOH	2.2 m
Capacity	30
Compliant to	NZS 5828:2015
	EN 1176



FRONT VIEW



SIDE VIEW

*Maximum Fall Height. Dimensions shown are in cm