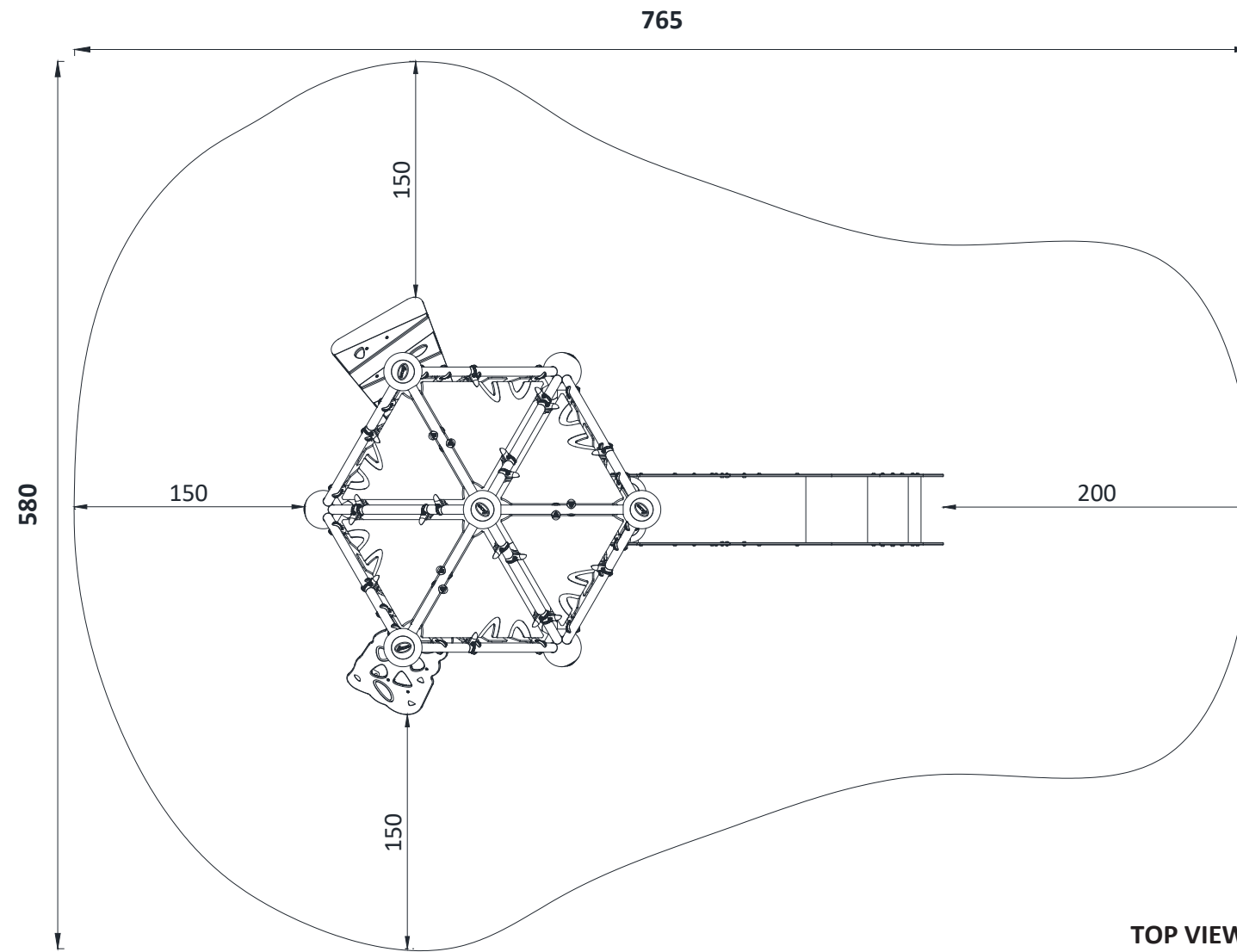


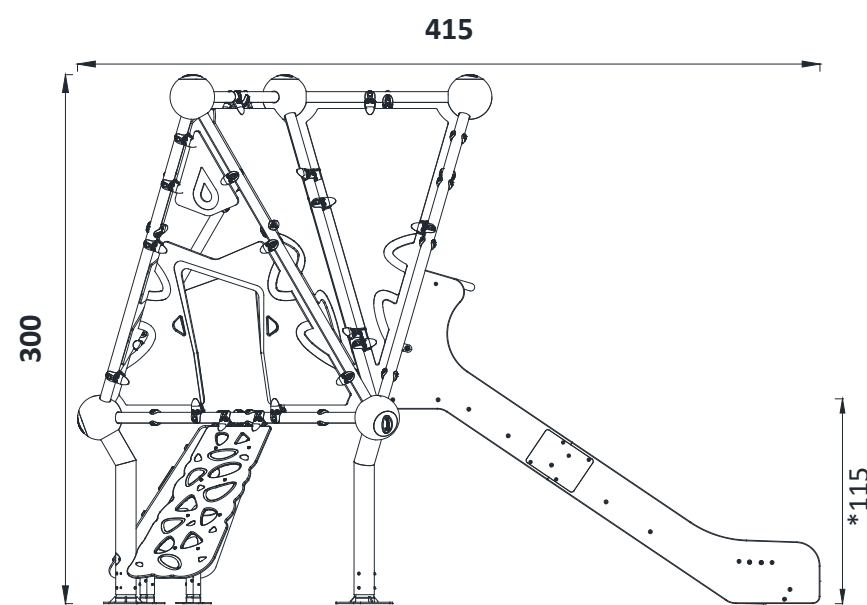
# Jungle Series GGJS 1003-P



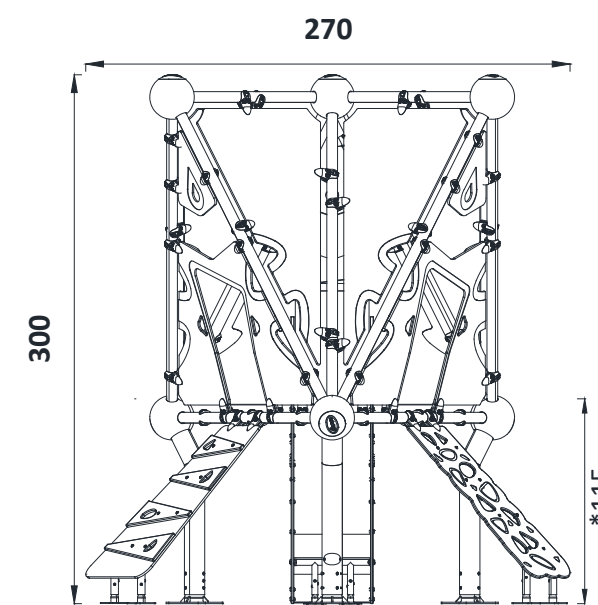
# Jungle Series GGJS 1003-P



TOP VIEW



FRONT VIEW



SIDE VIEW

\*Maximum Fall Height. Dimensions shown are in cm

Technical Information	
Main Dimension (L x W x H)	4.15 x 2.7 x 3.0m
Safety Area	32m <sup>2</sup>
Max FHOH	1.15m
Capacity	5
Compliant to	NZS 5828:2015 EN 1176