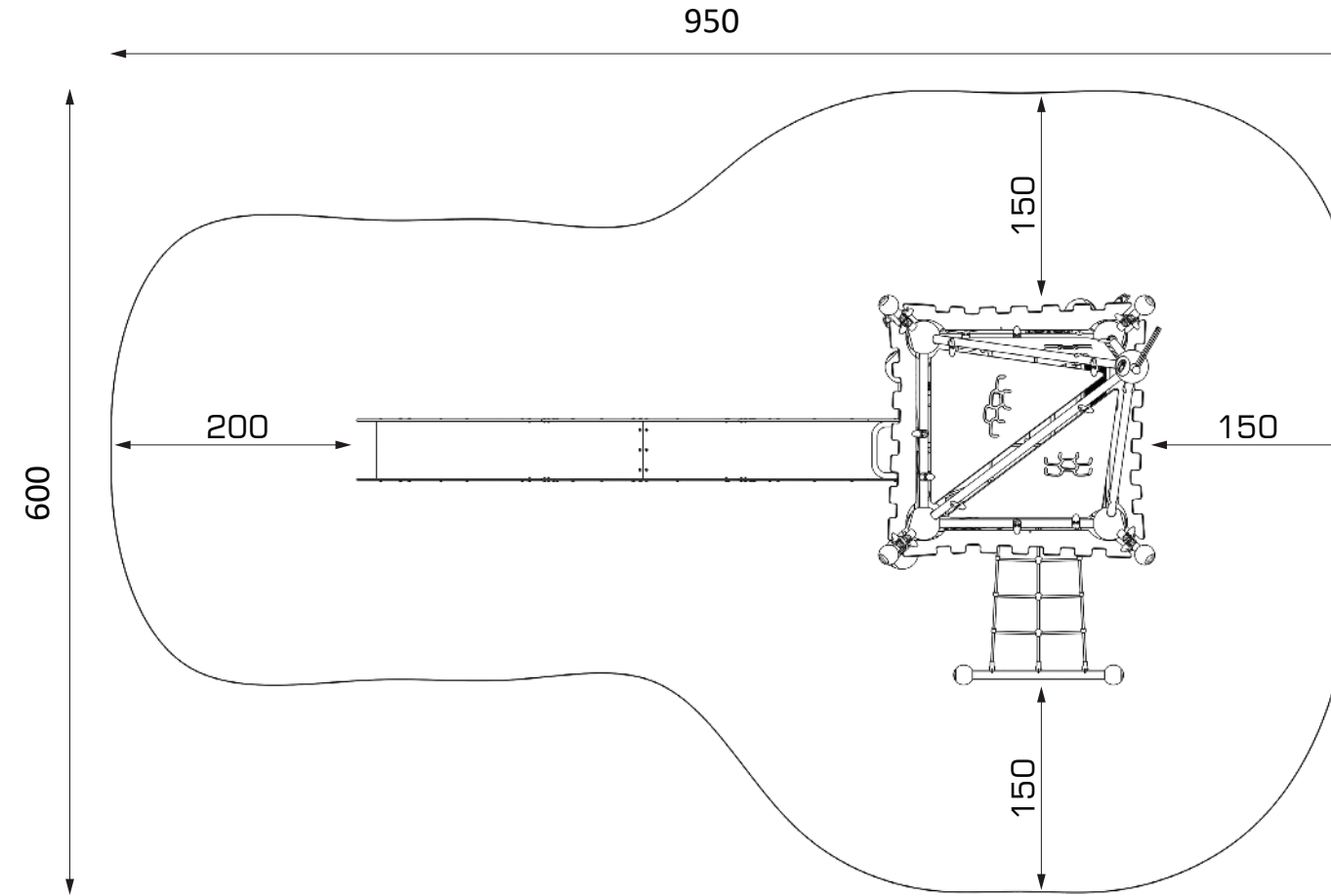


Castello Series- GGCS 1003- P

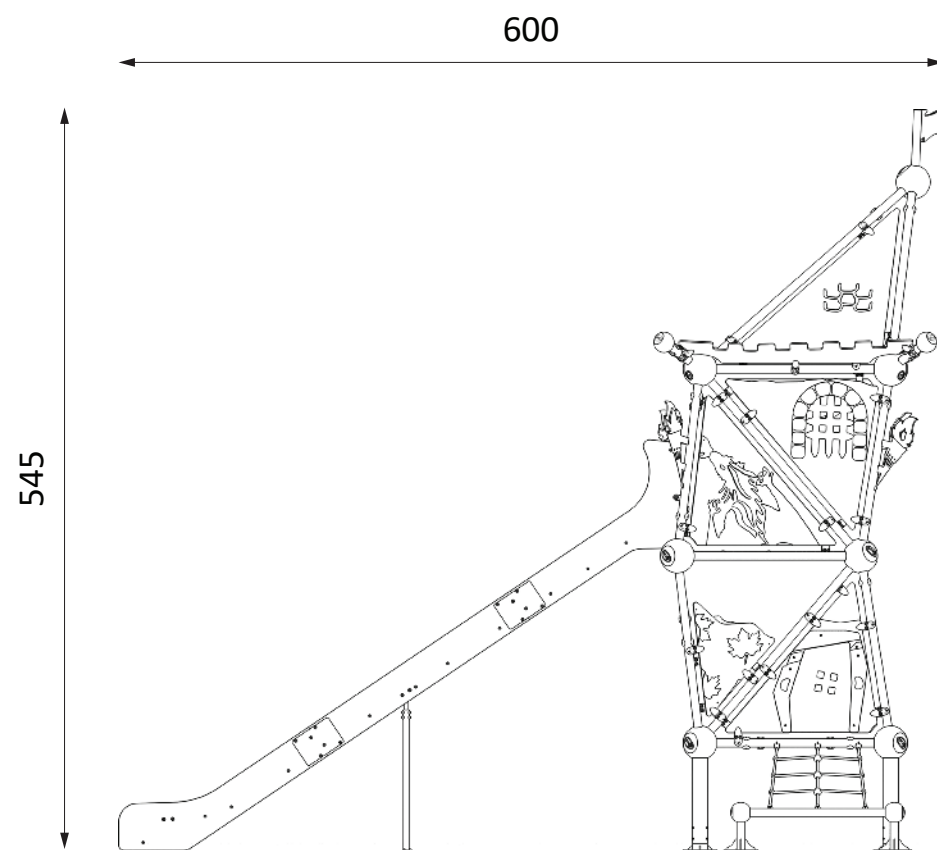


Castello Series- GGCS 1003- P

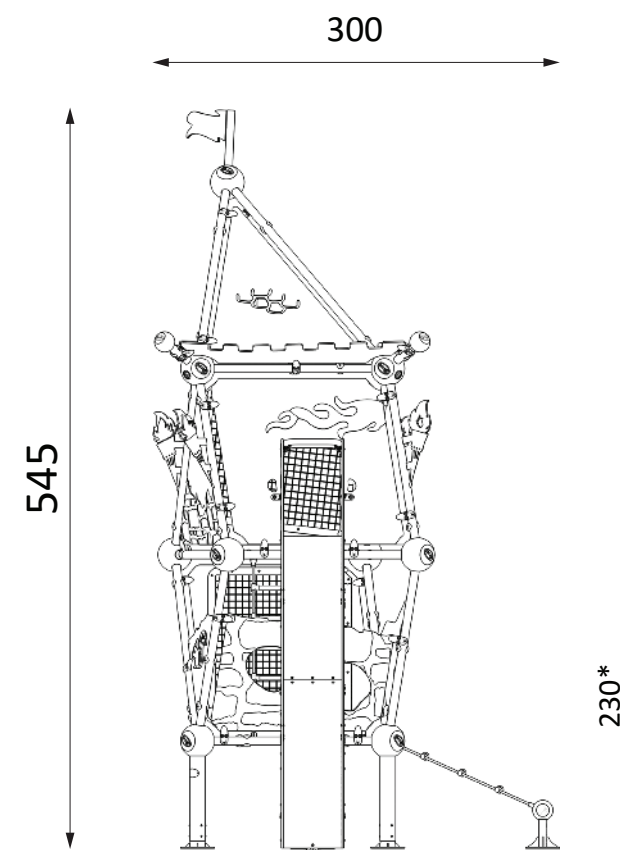


TOP VIEW

Technical Information	
Main Dimension (L x W x H)	6.0 x 3.0 x 5.45 m
Safety Area	41.6 m ²
Max FHOH	2.3 m
Capacity	13
Compliant to	NZS 5828:2015 EN 1176



FRONT VIEW



SIDE VIEW

*Maximum Fall Height. Dimensions shown are in cm