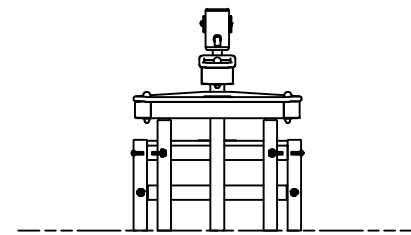
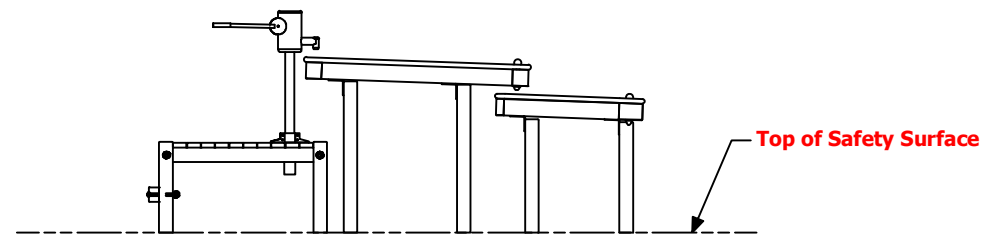
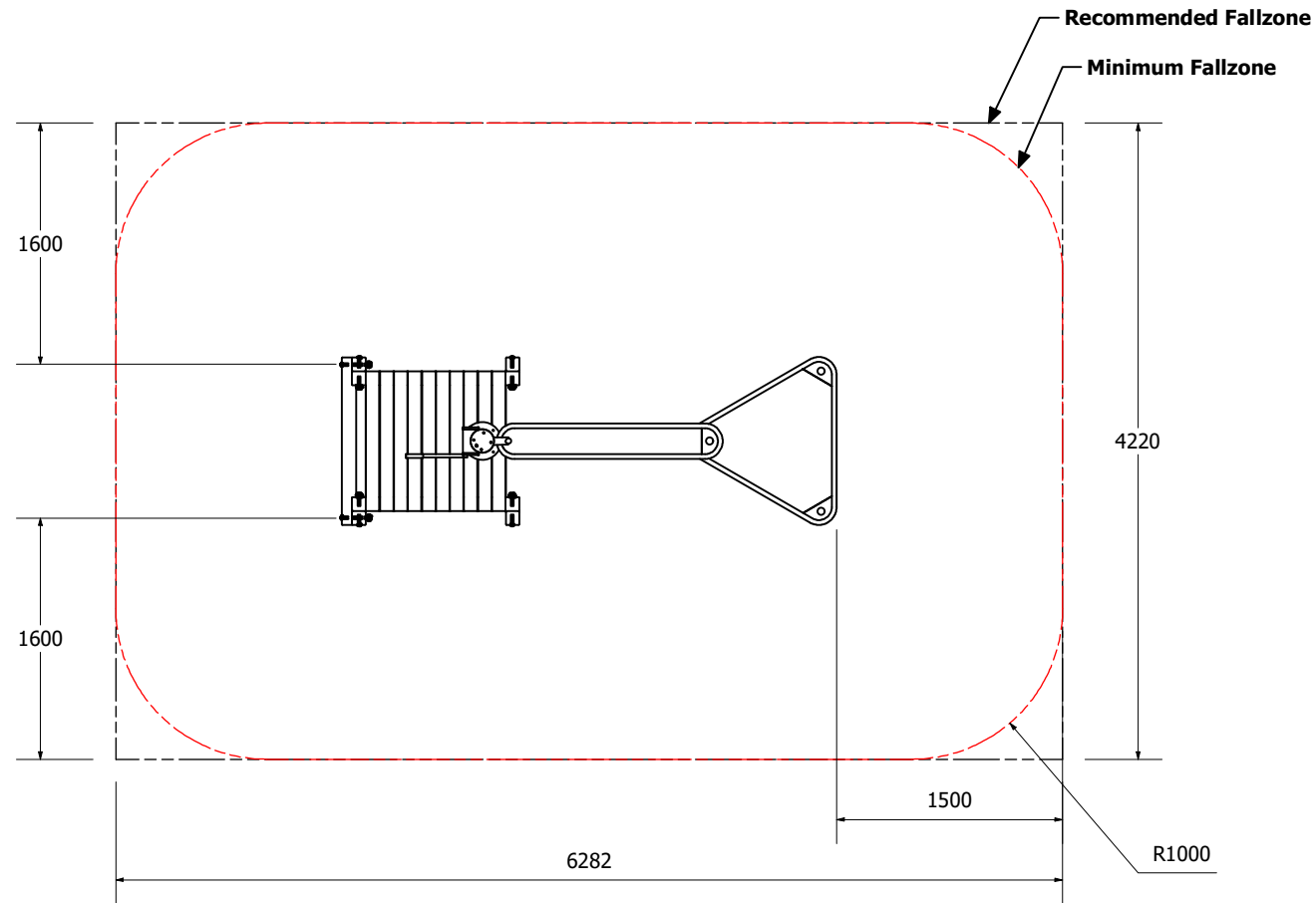




*\*\*Depending on pump availability, the actual pump supplied may vary from what is shown on the renders.  
The [Water Pump with Hand Wheel](#) is normally available, but please get confirmation from our sales consultant at point of order.*



Technical Information	
Main Dimension	6282x4220mm
Total Area	26m <sup>2</sup>
Max FHOE	595mm
Heaviest Part	
Compliant to	NZS 5828:2015 AS 4685:2017 EN 1176:2008