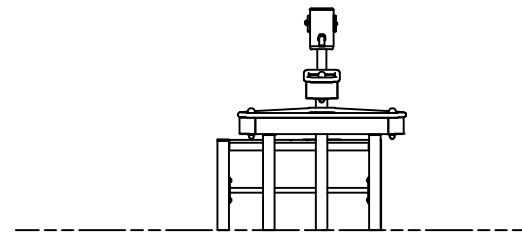
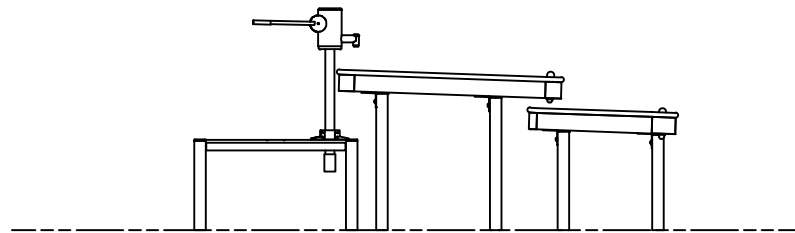
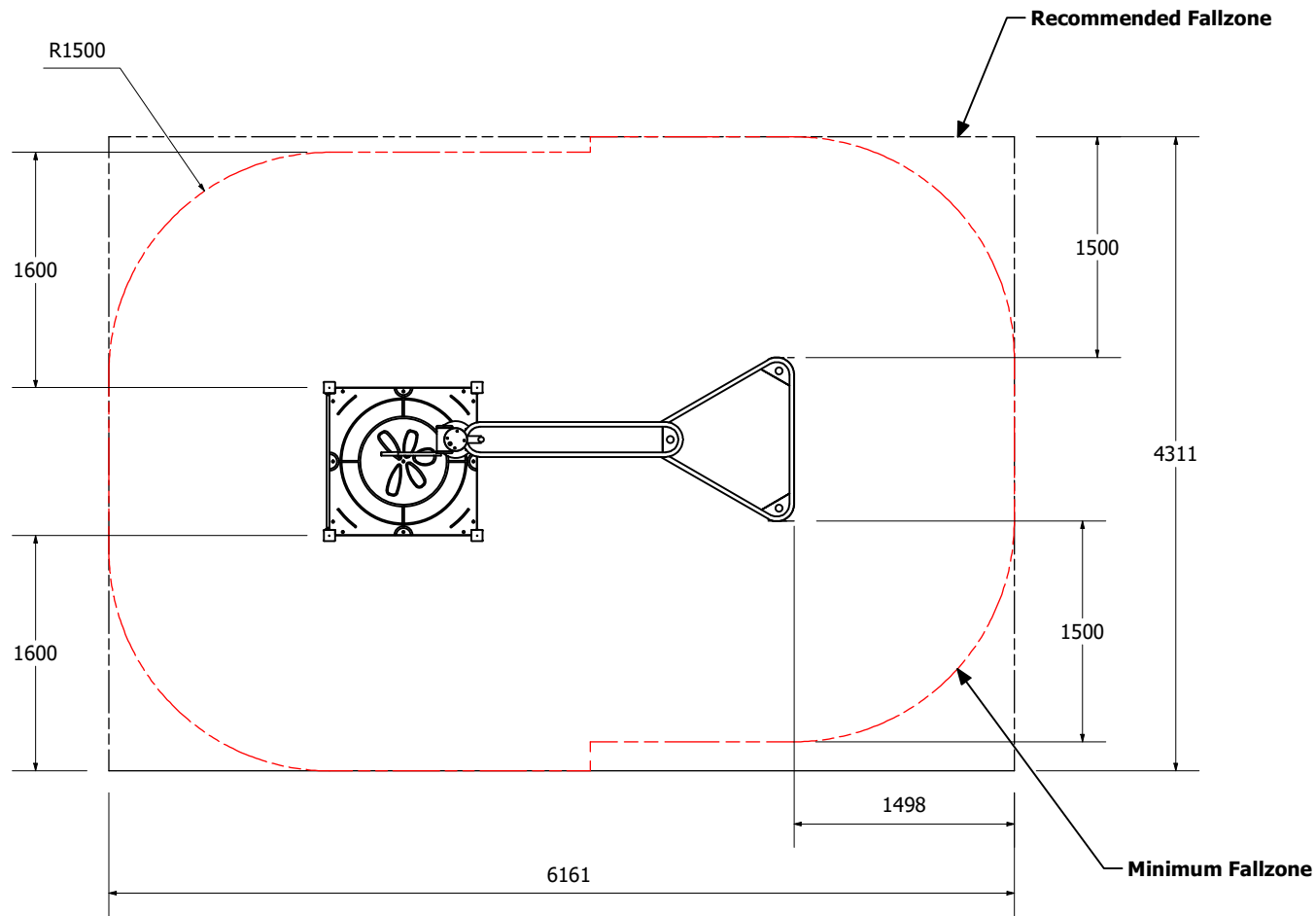




***Depending on pump availability, the actual pump supplied may vary from what is shown on the renders.
The [Water Pump with Hand Wheel](#) is normally available, but please get confirmation from our sales consultant at point of order.*



Technical Information	
Main Dimension	6263x4311mm
Total Area	24m ²
Max FHO	595mm
Heaviest Part	
Compliant to	NZS 5828:2015 AS 4685:2017 EN 1176:2008