

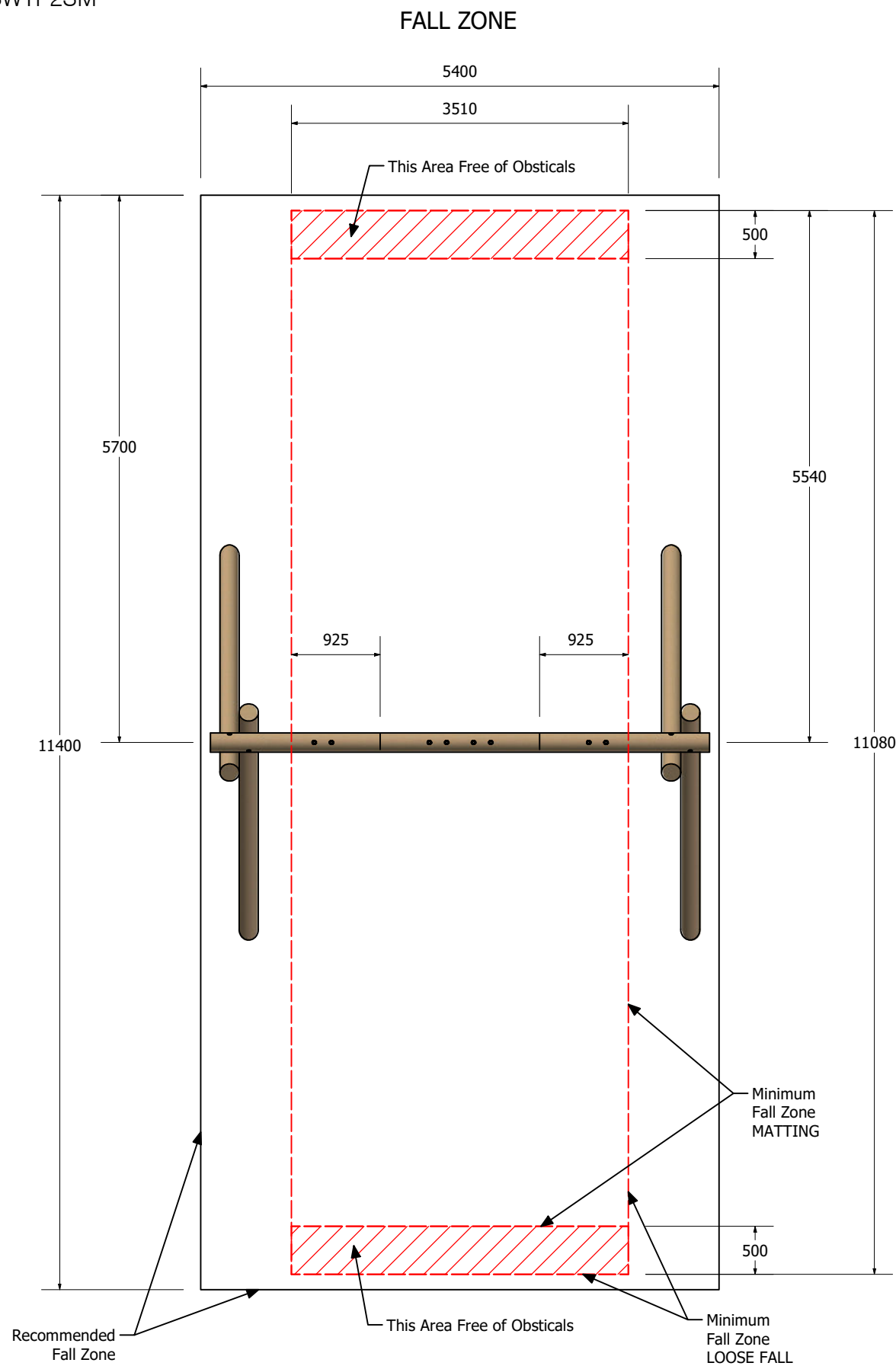
TIMBERPLAY SWING - 2 BAY - SUPER MEGA

SWTP2SM

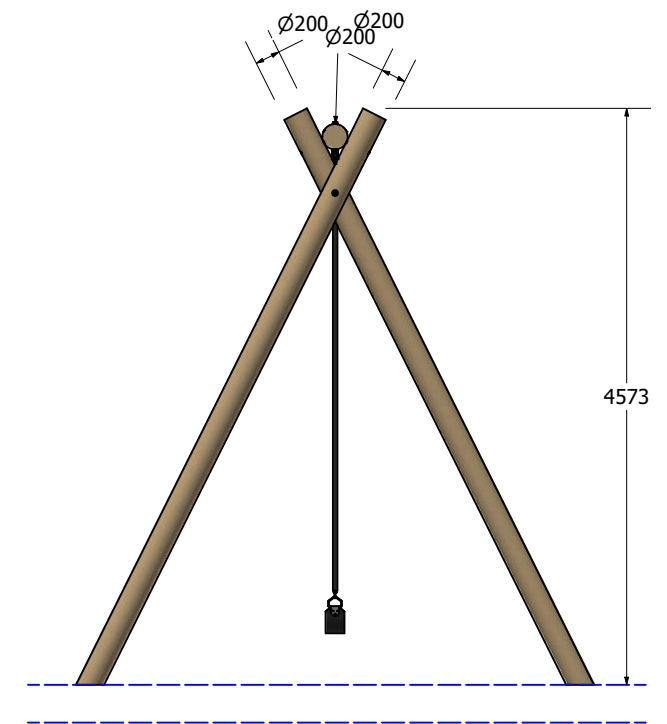
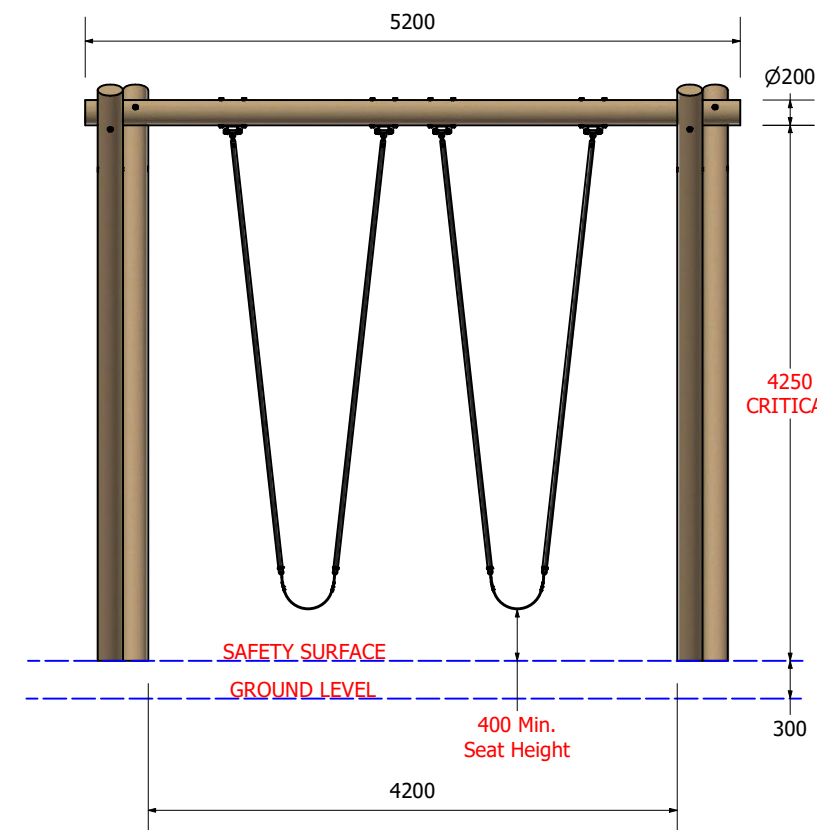
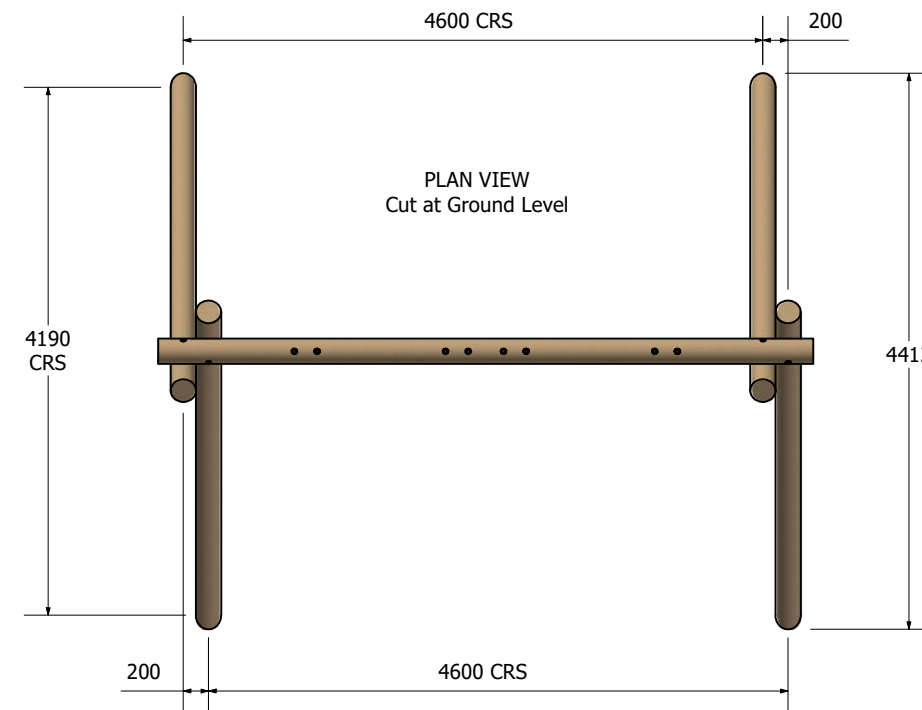


TIMBERPLAY SWING - 2 BAY - SUPER MEGA

SWTP2SM



DIMENSIONS AT GROUND LEVEL



Technical Information	
Main Dimension	11400 x 5400
Total Area	62 sqm
Max FHOV	2.3 m
Heaviest Part	170 kg
Compliant to	NZS 5828:2015 AS 4685:(series) EN 1176:2008