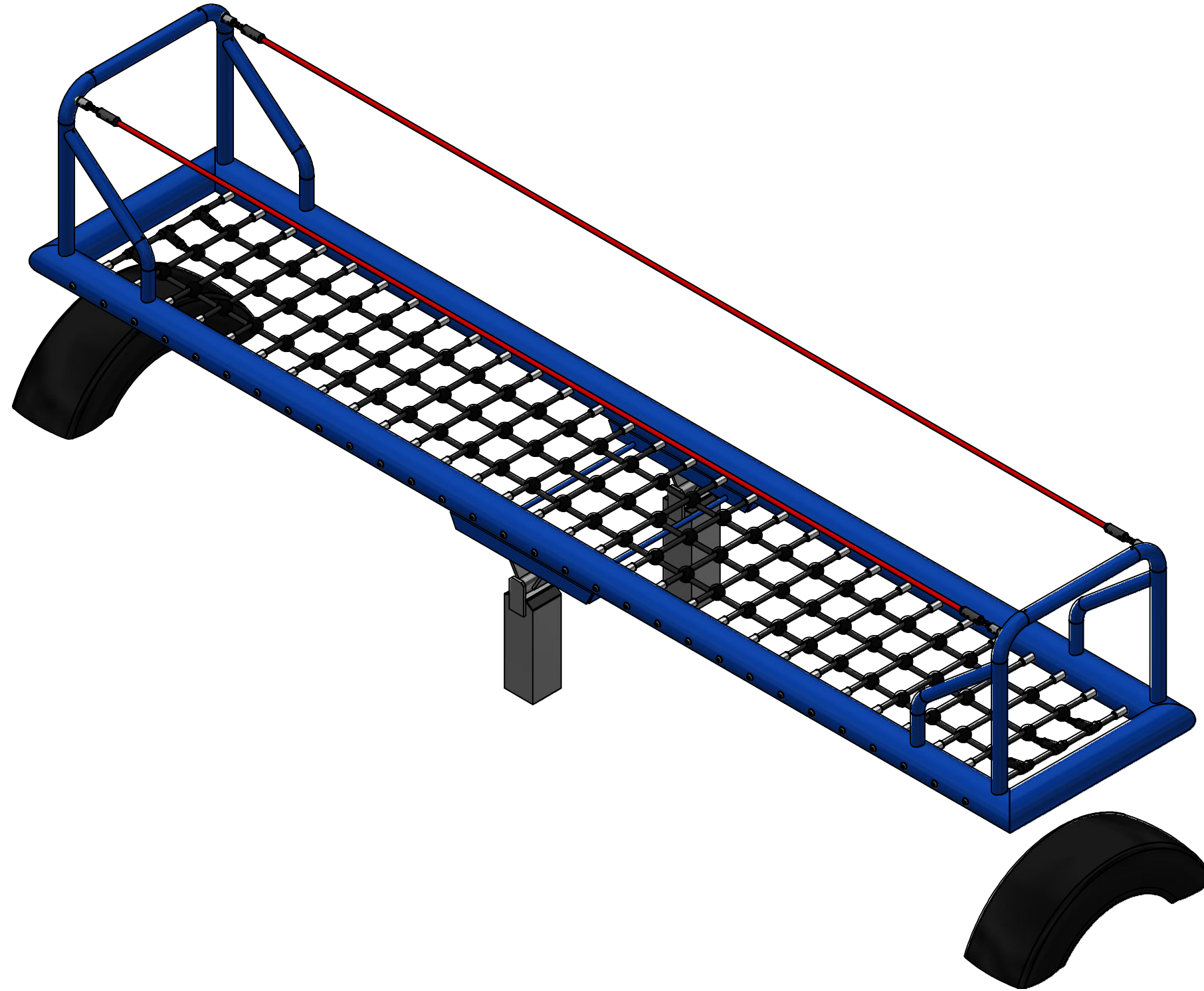
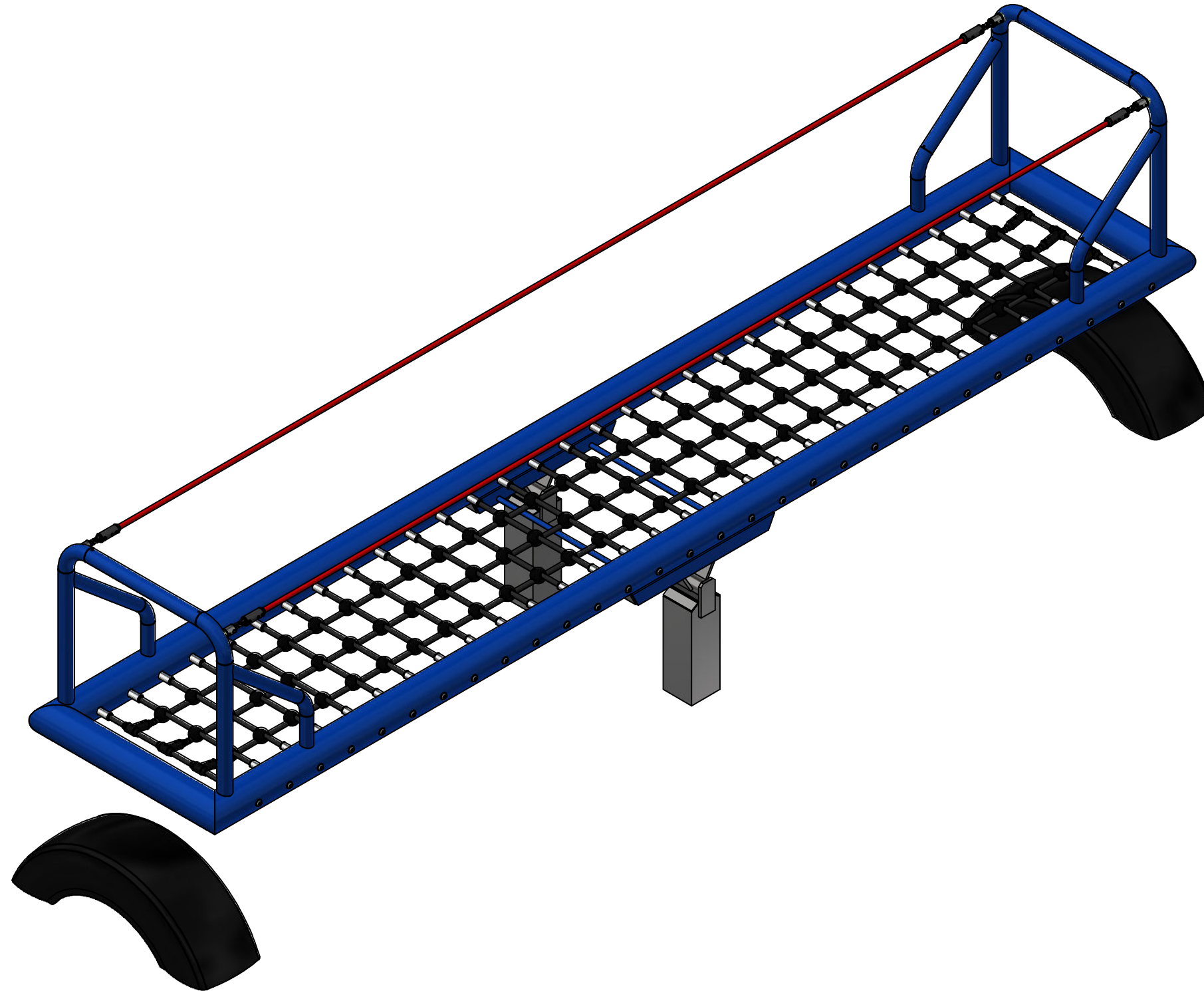


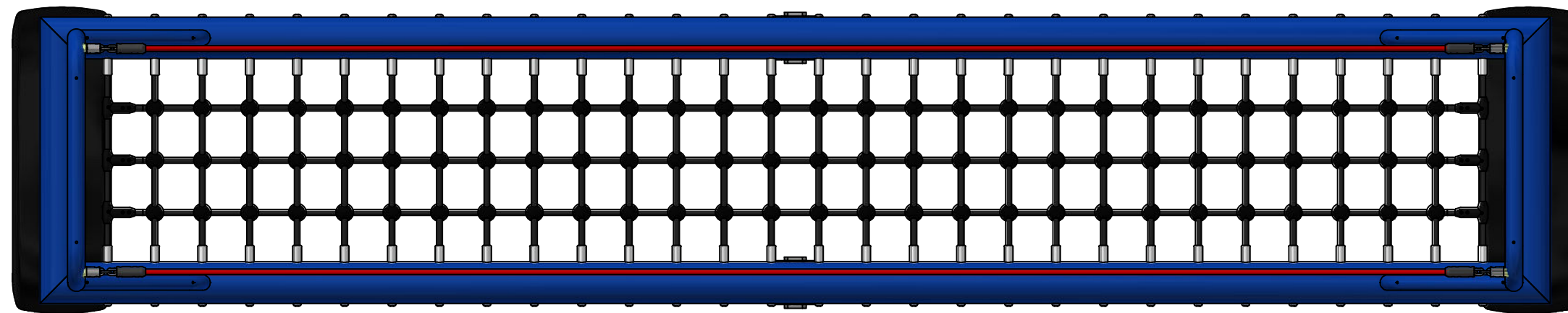
Net See Saw - Metal



Net See Saw - Metal

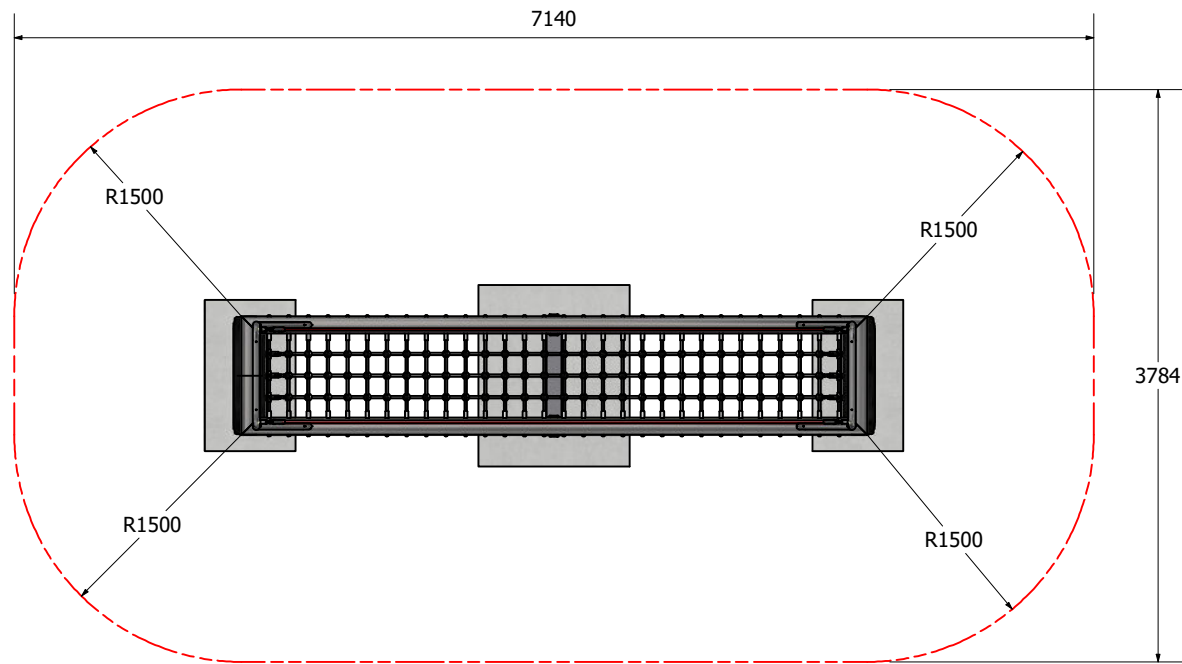


Net See Saw - Metal

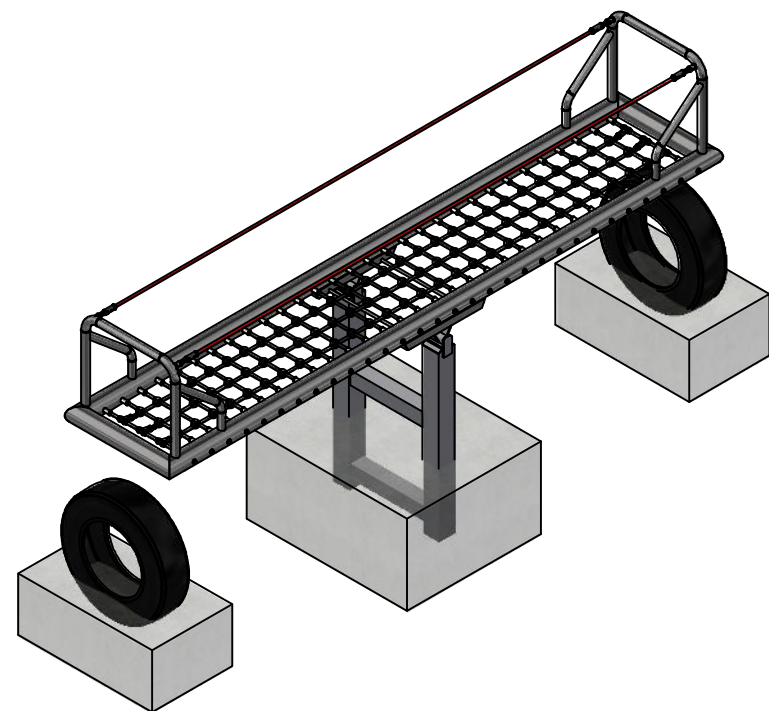
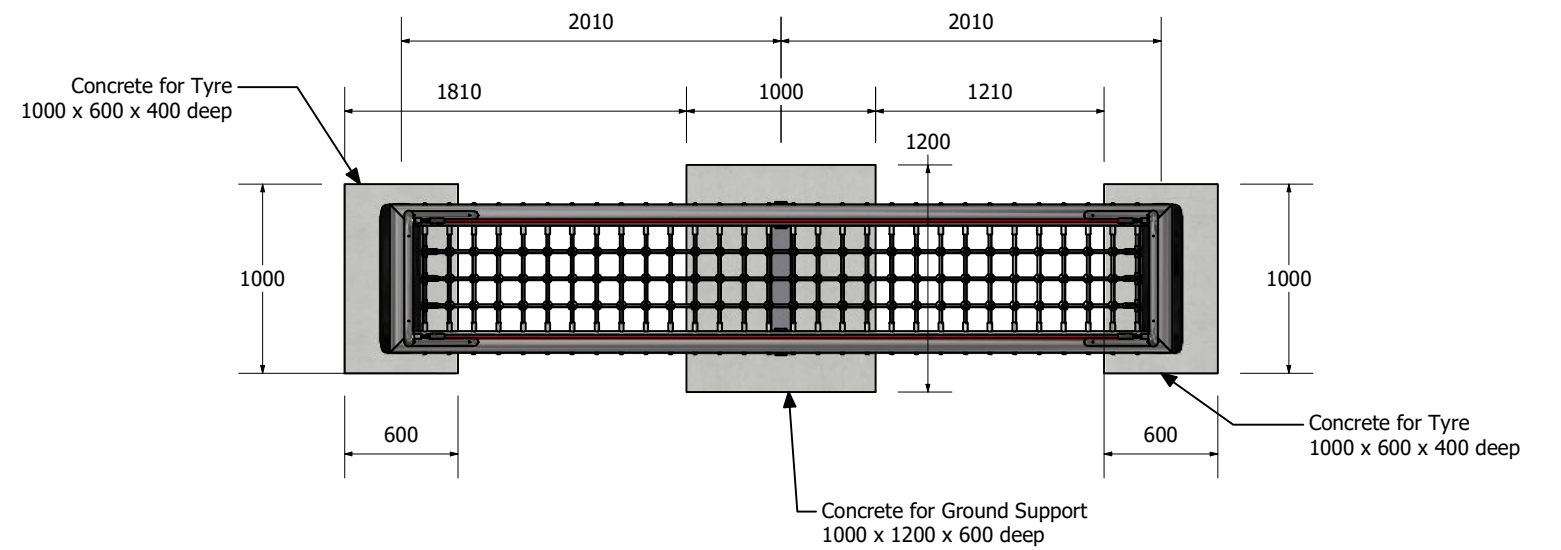


Net See Saw - Metal

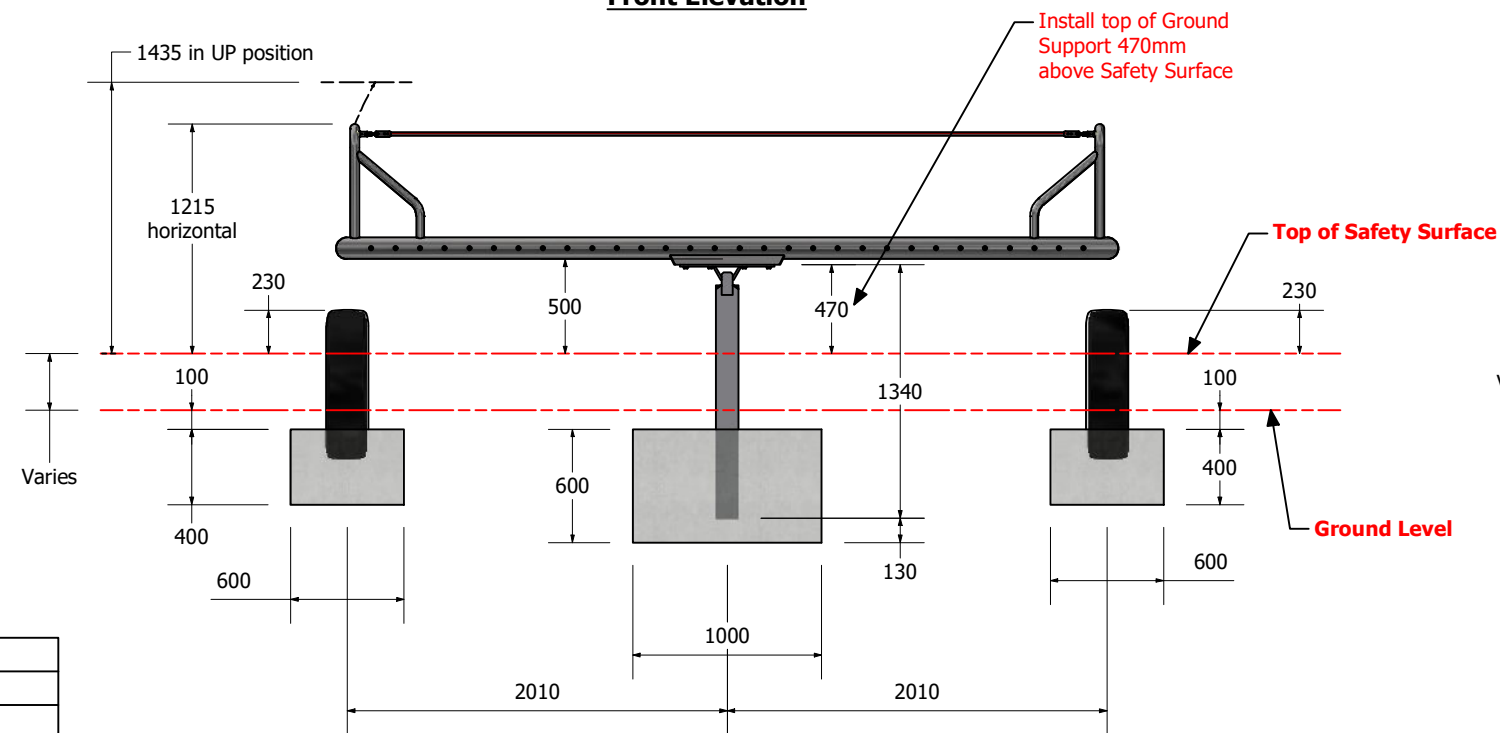
Fallzones



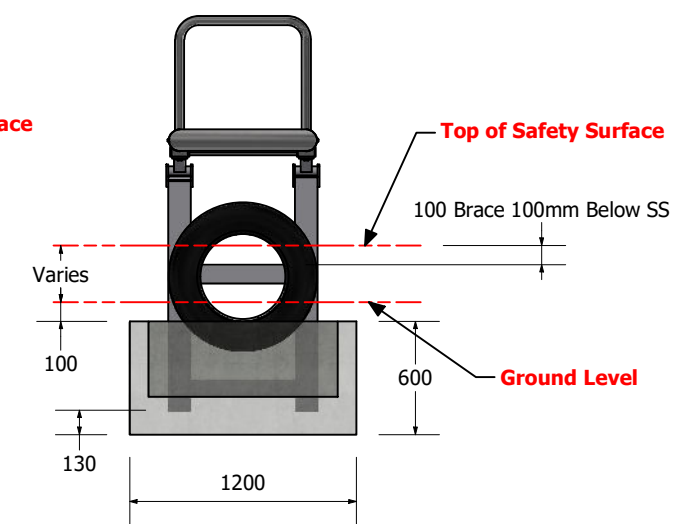
Pole Dimensions



Front Elevation



Right Elevation



Technical Information	
Main Dimension	7140 x 3784
Total Area	27 sqm
Max FHOE	0.9 m
Heaviest Part	200kg
Compliant to	NZS 5828:2015 AS 4685:(series) EN 1176:2017

REVISION HISTORY			
REV	DESCRIPTION	DATE	BY
0	Creation	30/06/2020	Barry
1	Added dimensions	25/8/2022	HS
2	Changed tyre size - increased out of SS dimension to 230mm	30/09/2022	Joel
3	Changed Brace at end	1/1/2023	HS
4	Added OA height dimension and Technical Table	24/10/2023	Barry