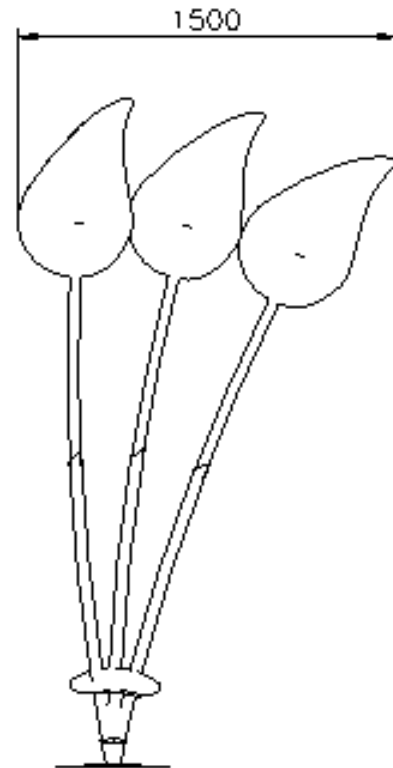
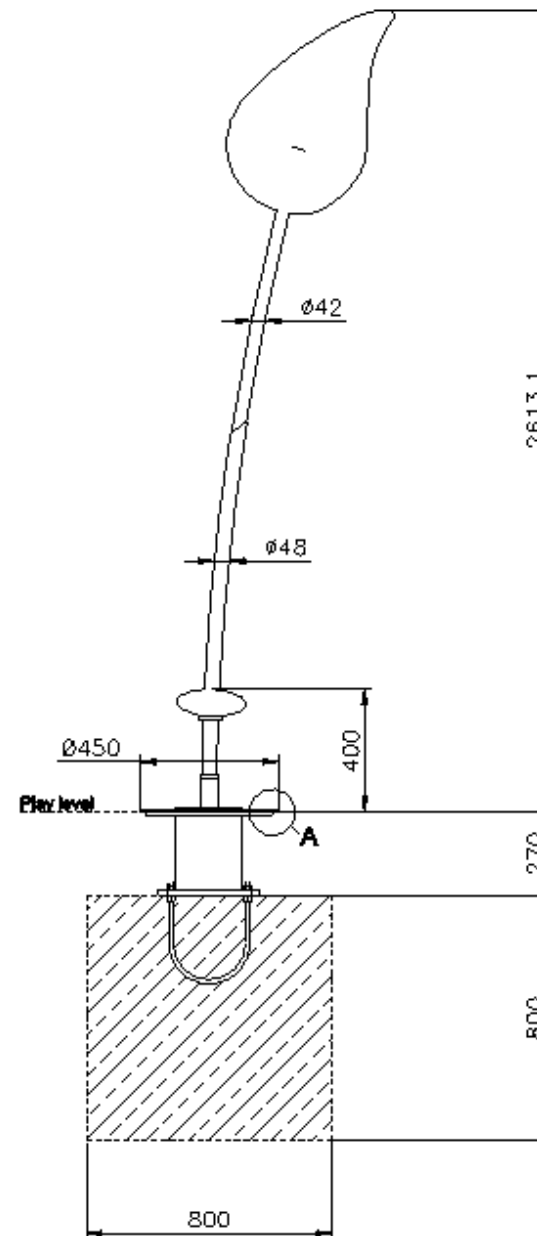


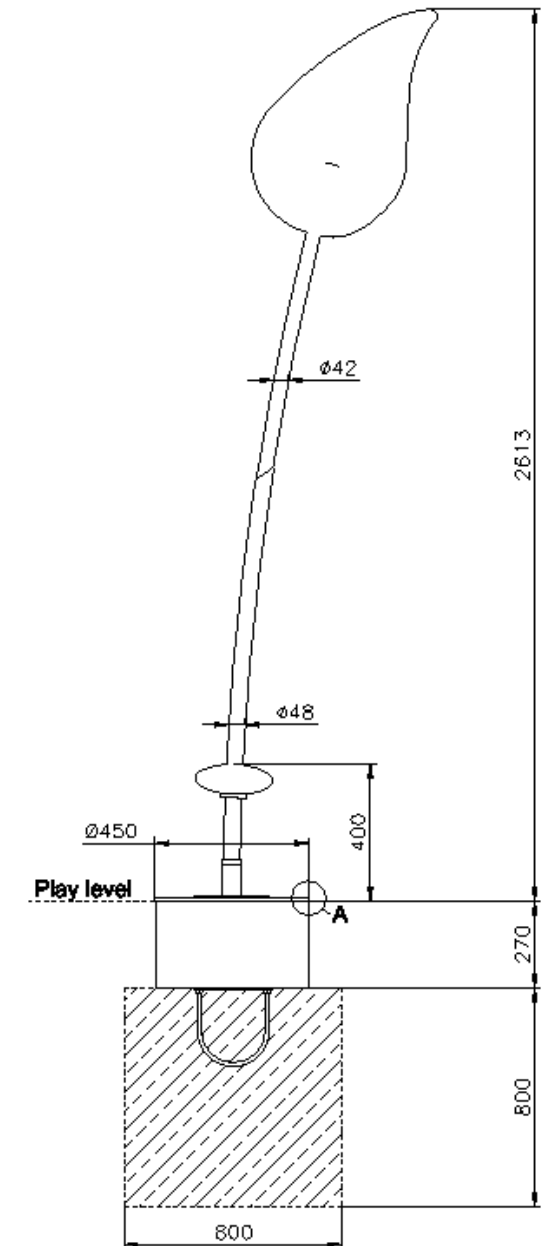
## Pangaea- Giant Fern



A. Installation in synthetic safety surfacing



B. Installation in loose fill safety surfacing



### Technical Information

Space Required	ø x H: 4200 x 3000 mm
Total Area	14 m <sup>2</sup>
Dimension	ø x H: 450 x 2615 mm
FHOF	400 mm
Compliant	EN 1176:2017