

## Unicycle

50000128

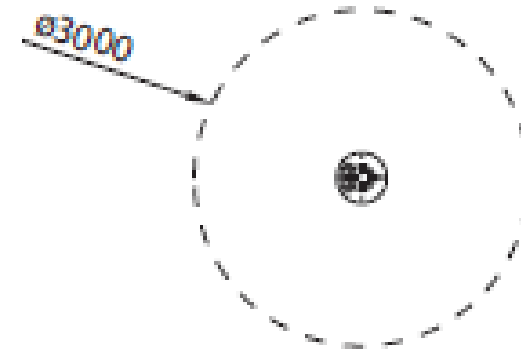


Technical Information	
Space Required	ø x h: 3,000 x 3,000 mm
Total Area	9.4m2
Dimension	380 x 250 x 610 mm
FHOF	590mm
Compliant	EN 1176-1:2017 EN 1176-6:2017

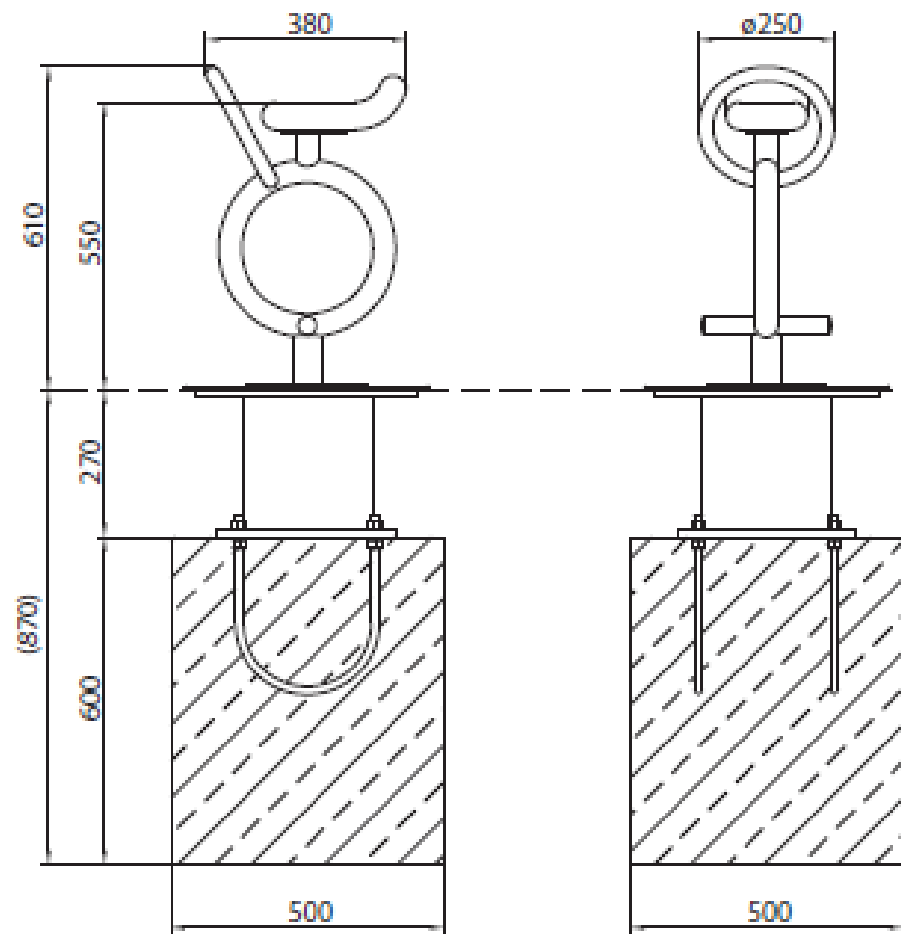


## Unicycle

50000128



### A. Installation in synthetic safety surfacing



### B. Installation in loose fill safety surfacing

