

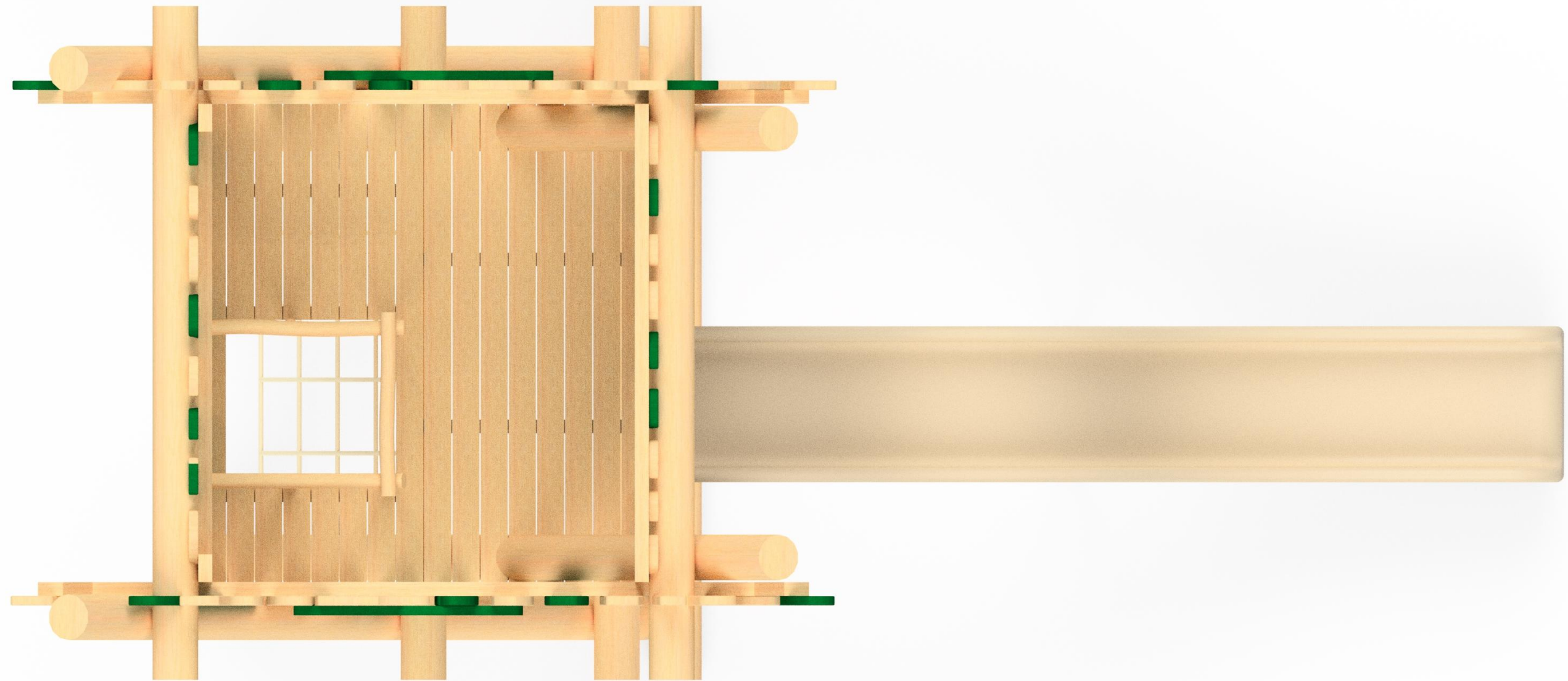


Stilts House



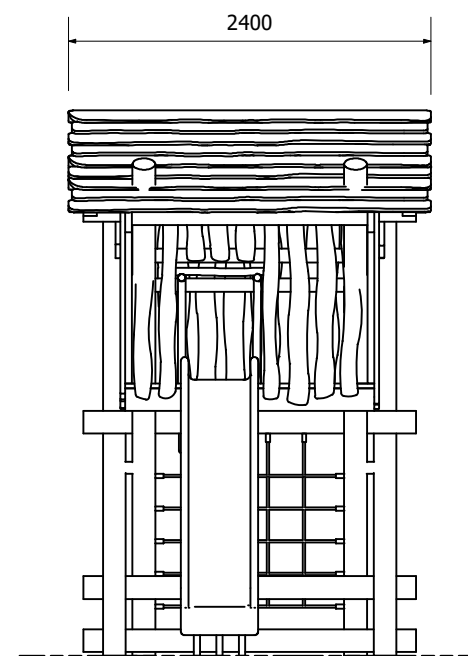
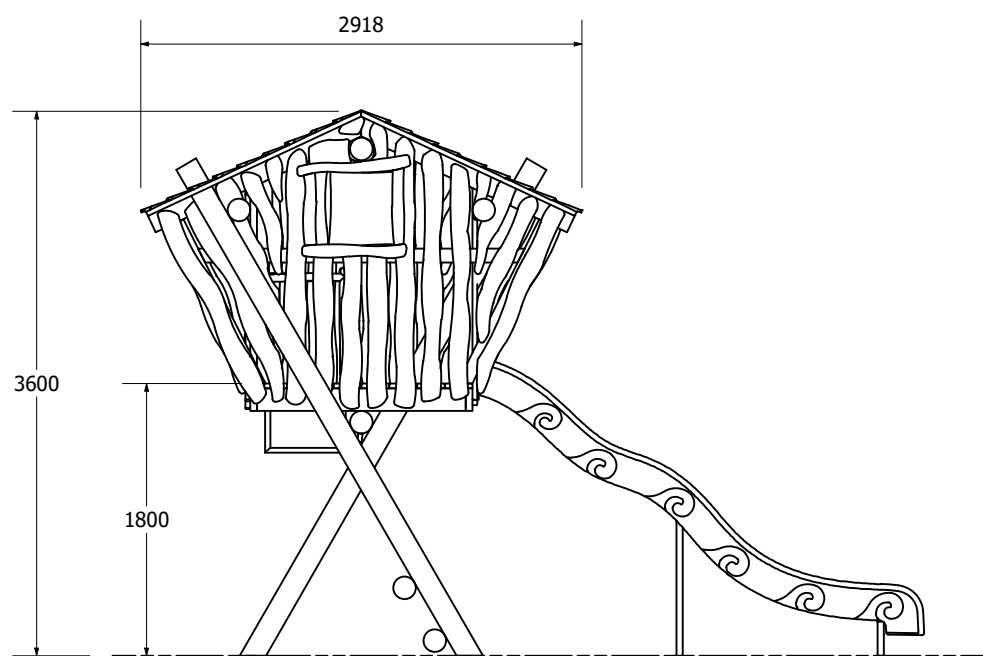
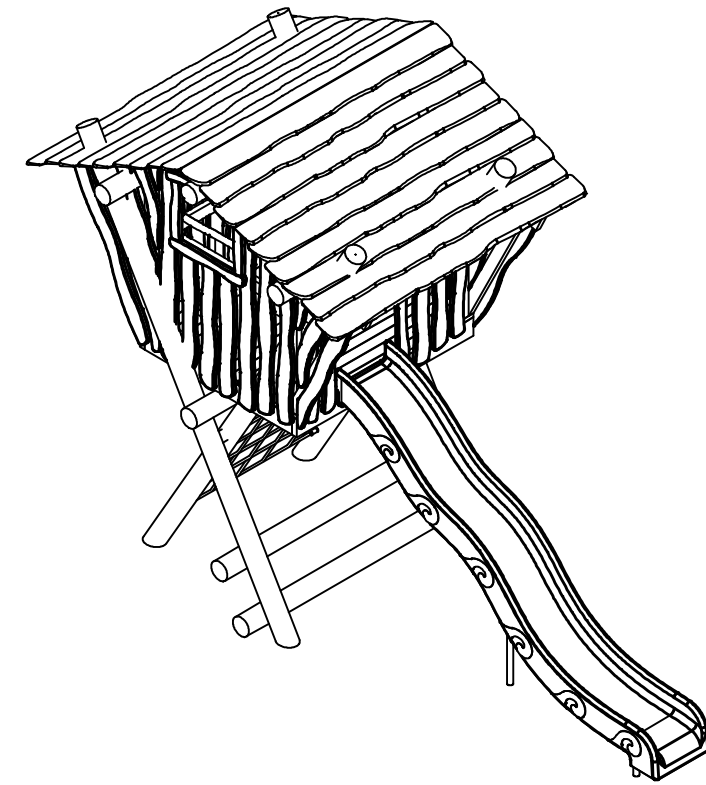
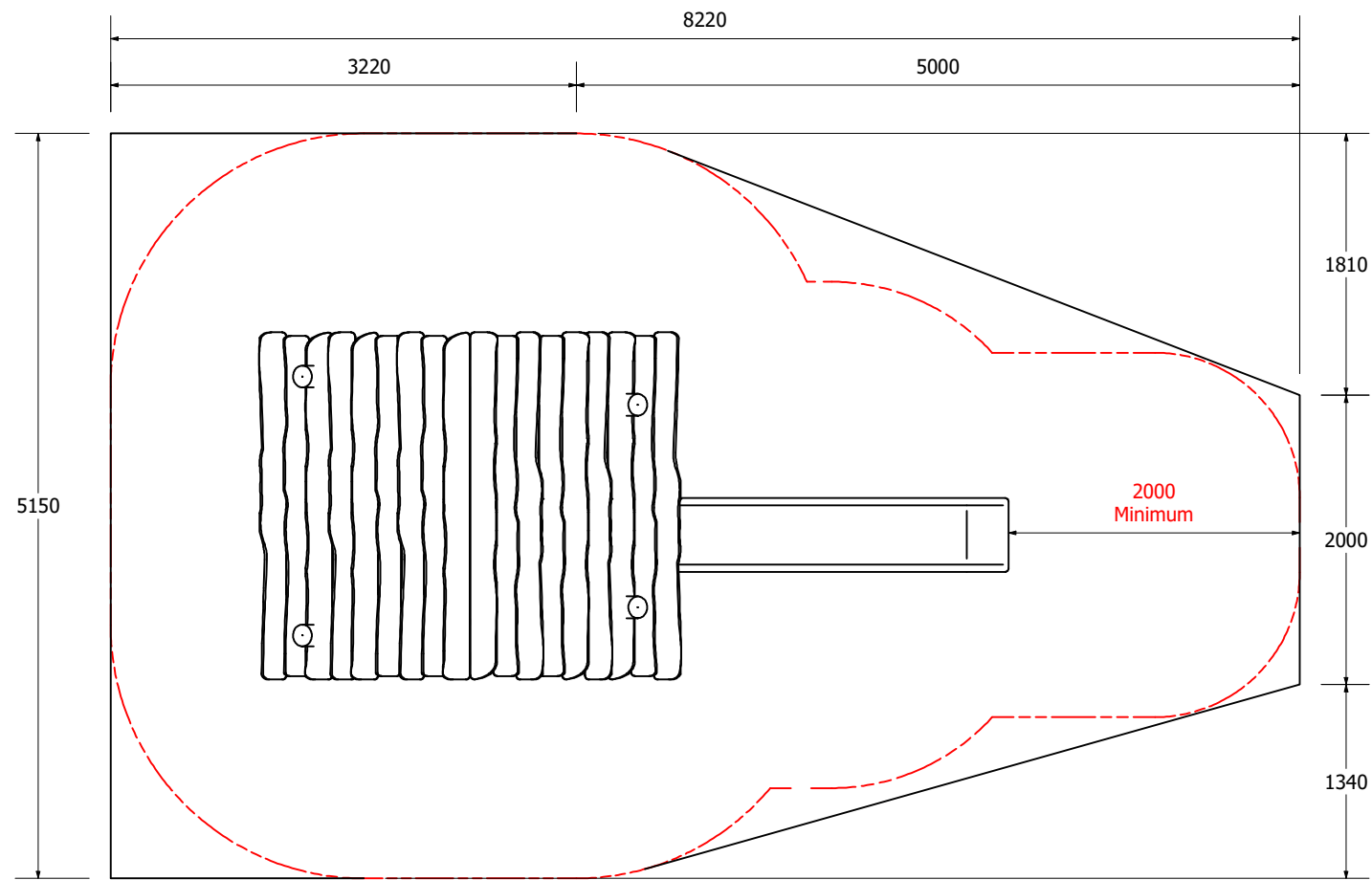
Stilts House





Stilts House

1 : 50 @ A3



| Technical Information | |
|-----------------------|---|
| Main Dimension | 8170 x 5150 mm |
| Total Area | 35 m ² |
| Max FHO | 1800 mm |
| Heaviest Part | N/A |
| Compliant to | NZS 5828:2015 AS 4685:2017 EN 1176:2008 |