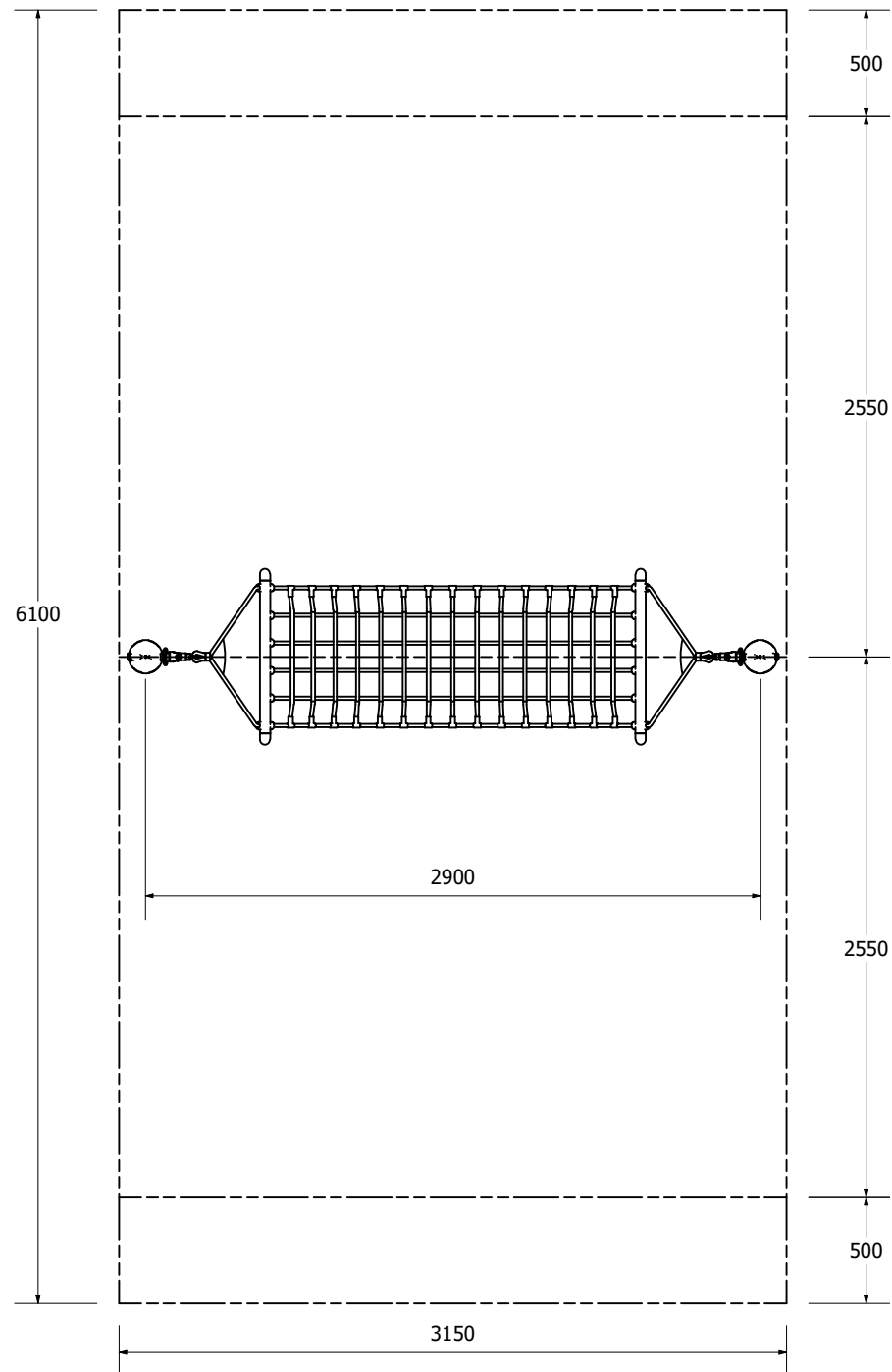


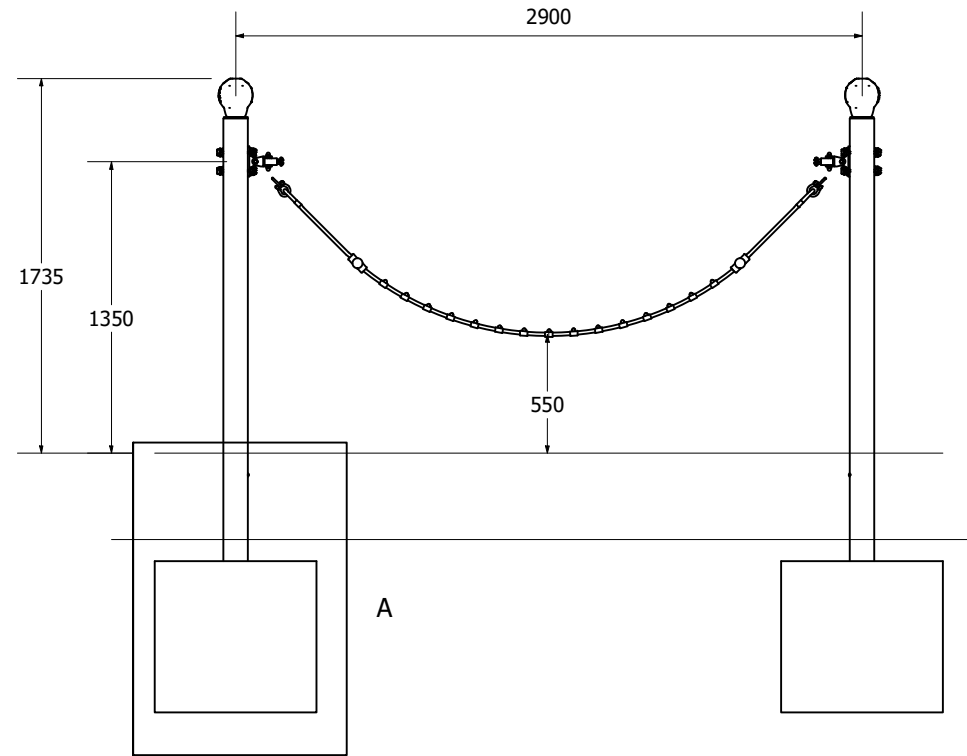
Technical Information	
Main Dimension	6100 x 3150
Total Area	19.2m2
Max FHOE	1000
Heaviest Part	-
Compliant to	NZS 5828:2015 AS 4685:2017 EN 1176:2008

1:100 @ A3

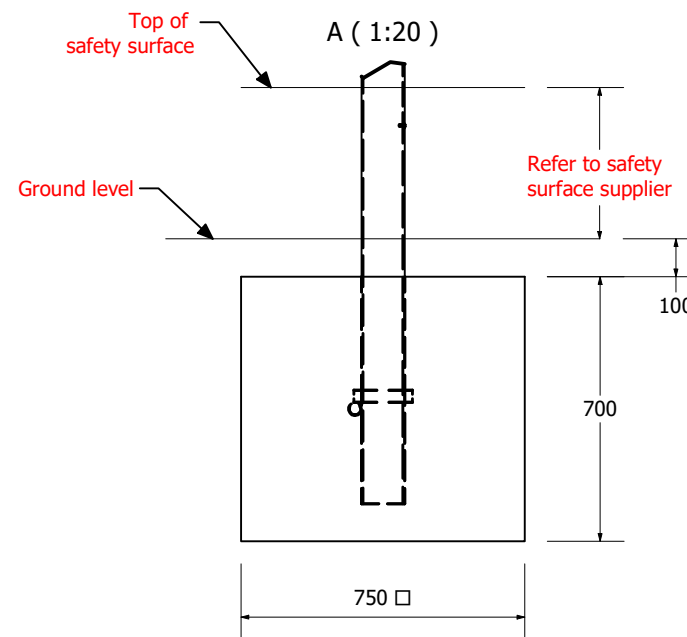
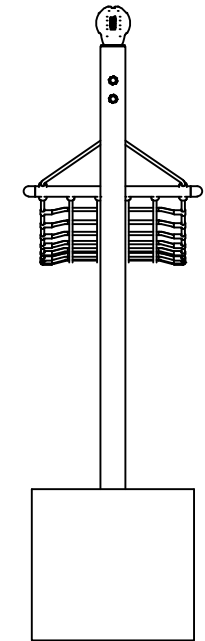
**Fallzones & pole dimensions**



**Front Elevation**



**Right Elevation**



REVISION HISTORY			
REV	DESCRIPTION	DATE	BY
0	Creation	3/02/2021	FJC
1	Added FHO	23/3/2023	HS