

Octagonal Tower 2.8m - MOTP8308

ZCORD Number

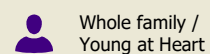
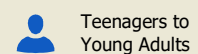
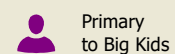


Octagonal Tower 2.8m - MOTP8308

ZCORD Number

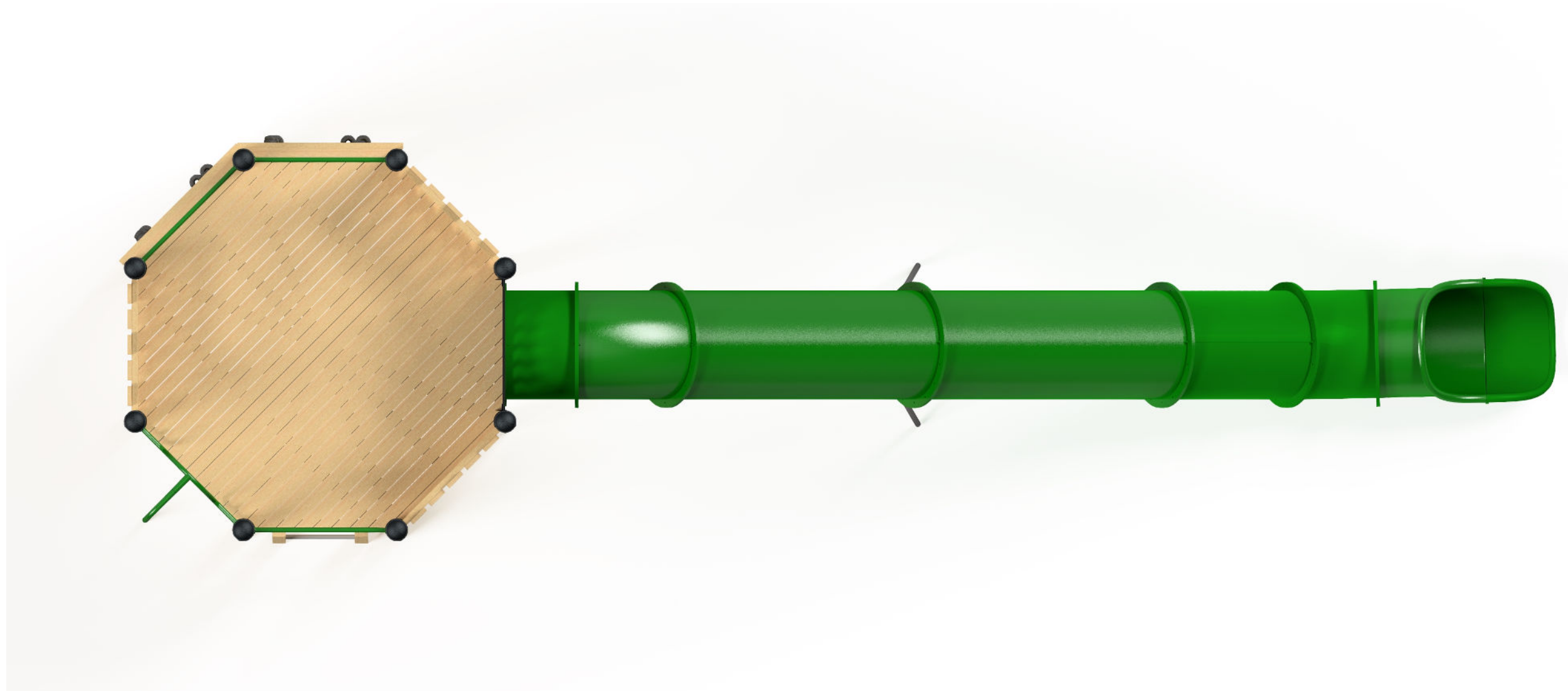


Age groups appropriate for:



Octagonal Tower 2.8m - MOTP8308

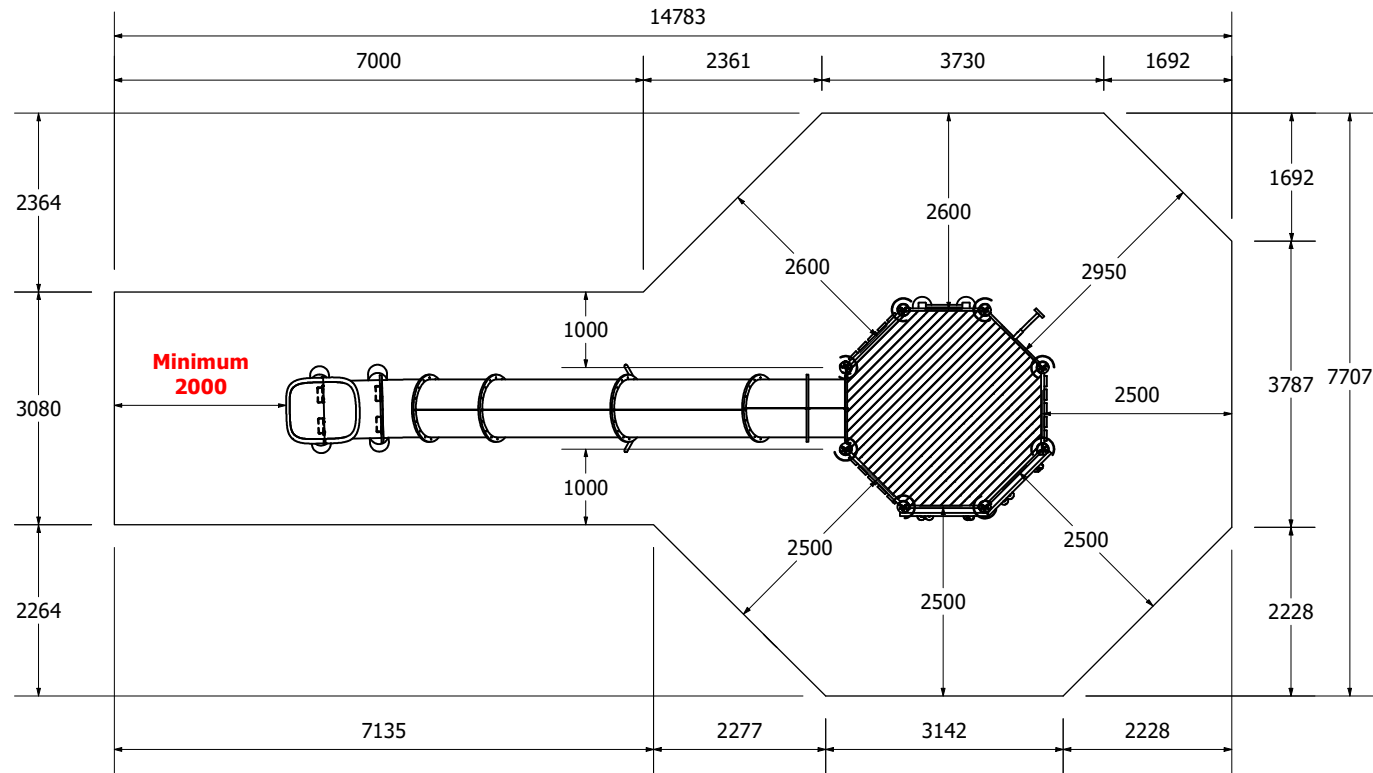
ZCORD Number



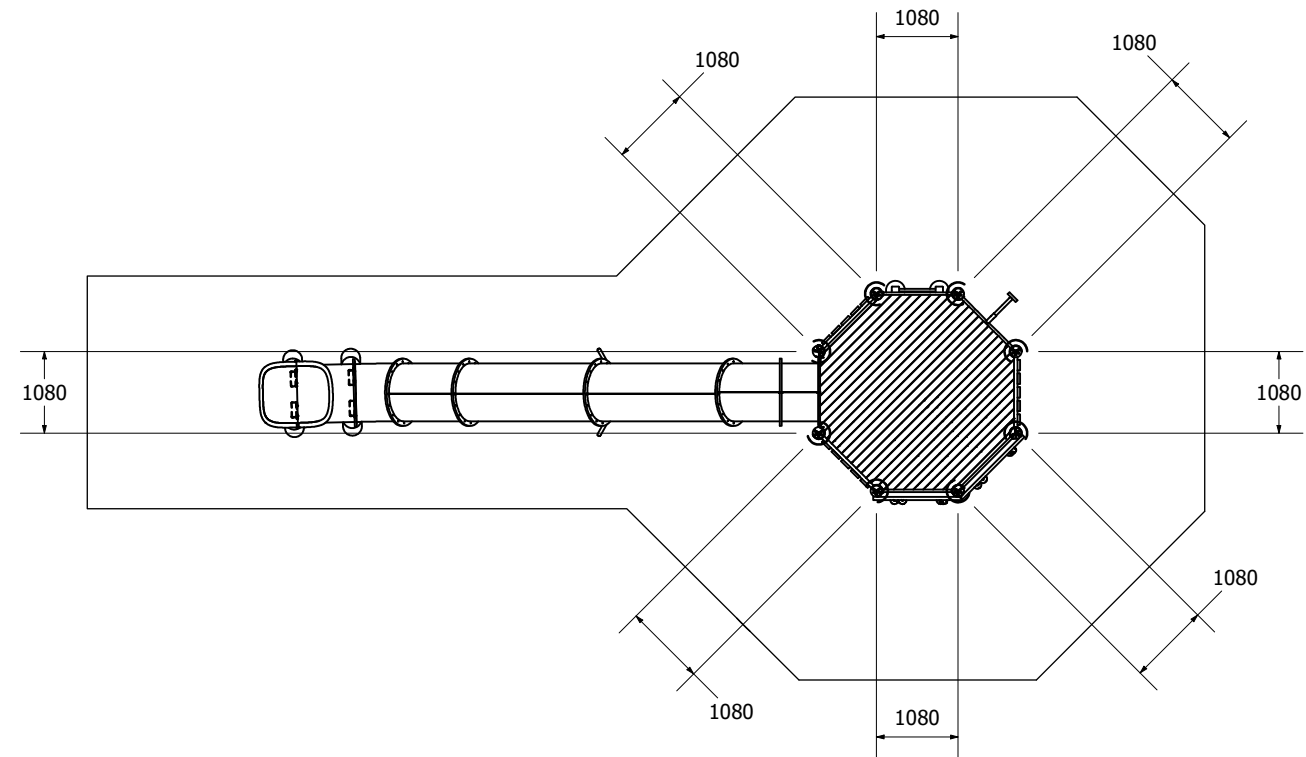
Octagonal Tower 2.8m - MOTP8308

ZCORD Number
1:100 @ A3

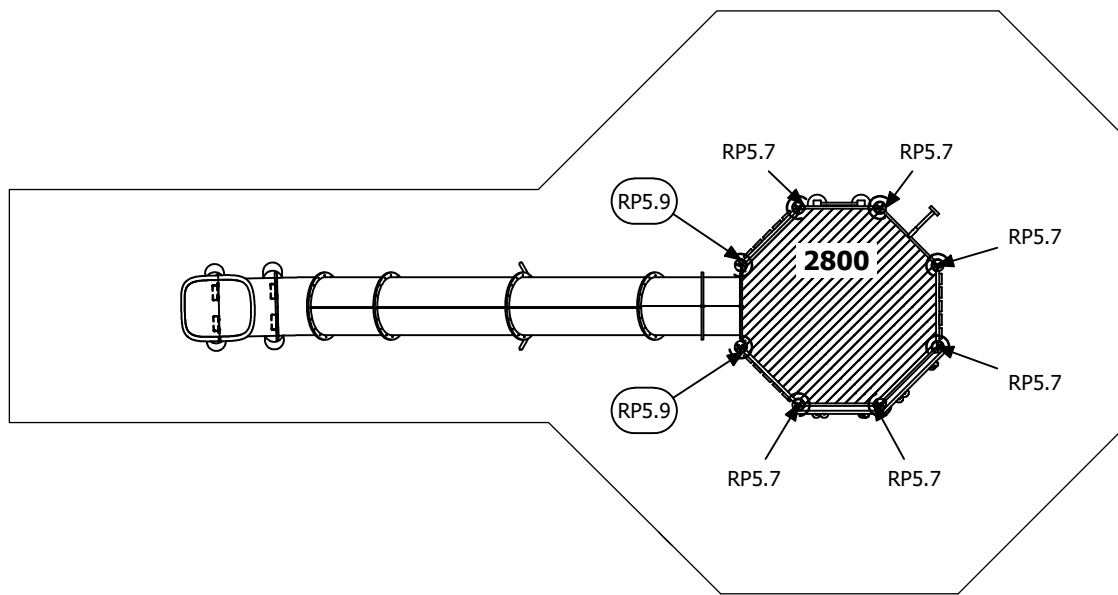
Fallzones



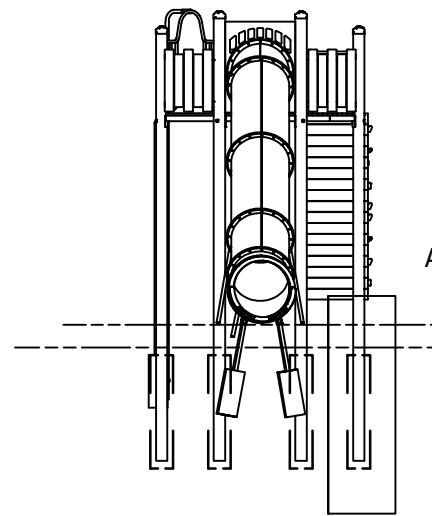
Pole Dimensions



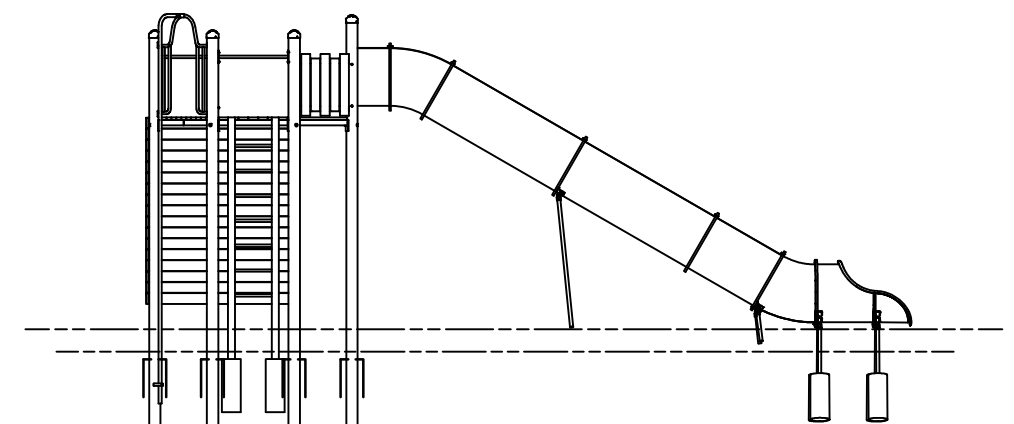
Pole Type



Front Elevation



Right Elevation



Refer to Safety Surface Supplier

A (1 : 50)

Top of Safety Surface

Ground Level

Technical Information	
Main Dimension	14783 x 7707
Total Area	72m2
Max FHO	2800
Heaviest Part	--
Compliant to	NZS 5828:2015 AS 4685:2017 EN 1176:2008

REVISION HISTORY			
REV	DESCRIPTION	DATE	BY
0	Creation	7/08/2020	Sam