

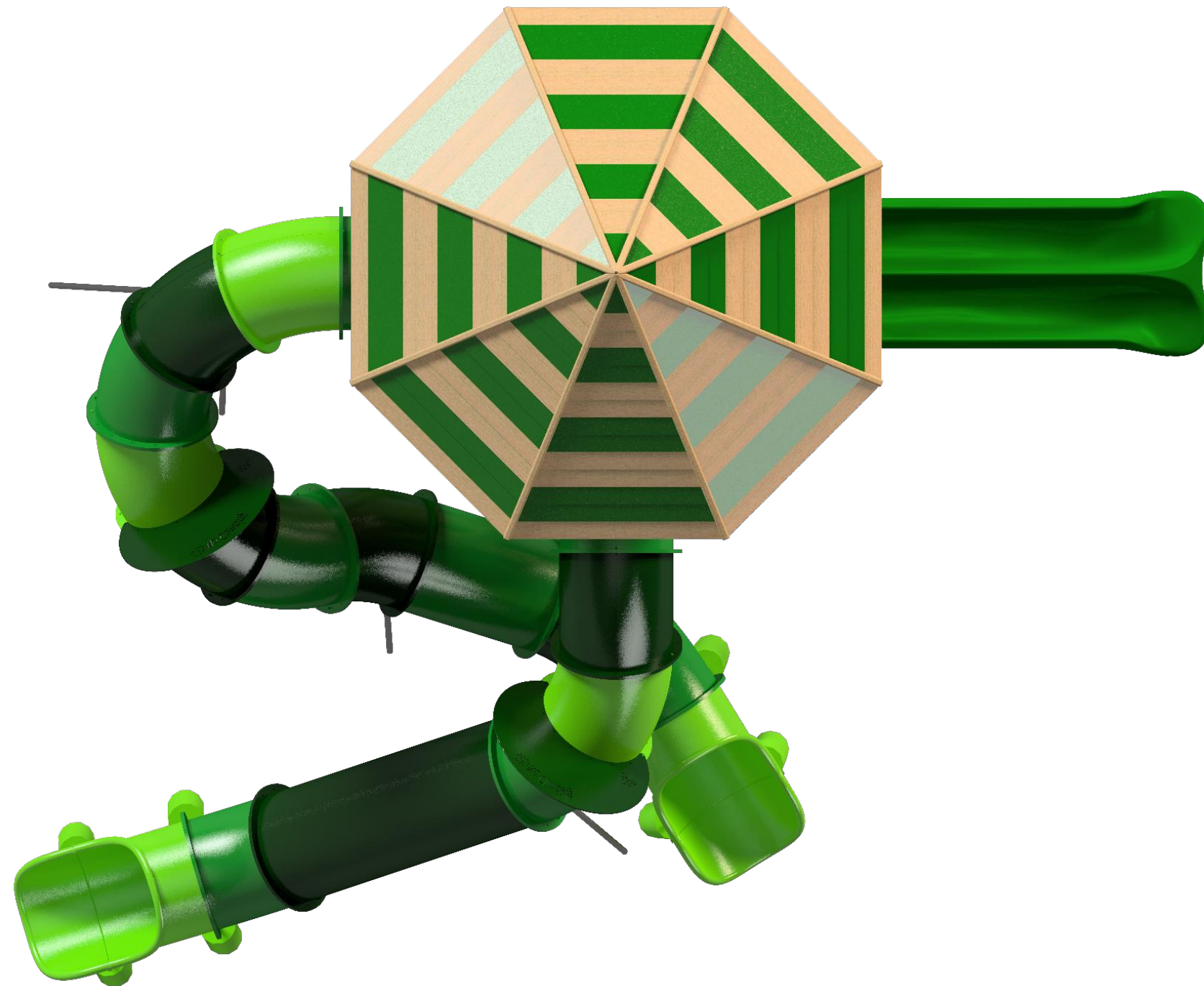
Lighthouse Oct Tower MOTP8301



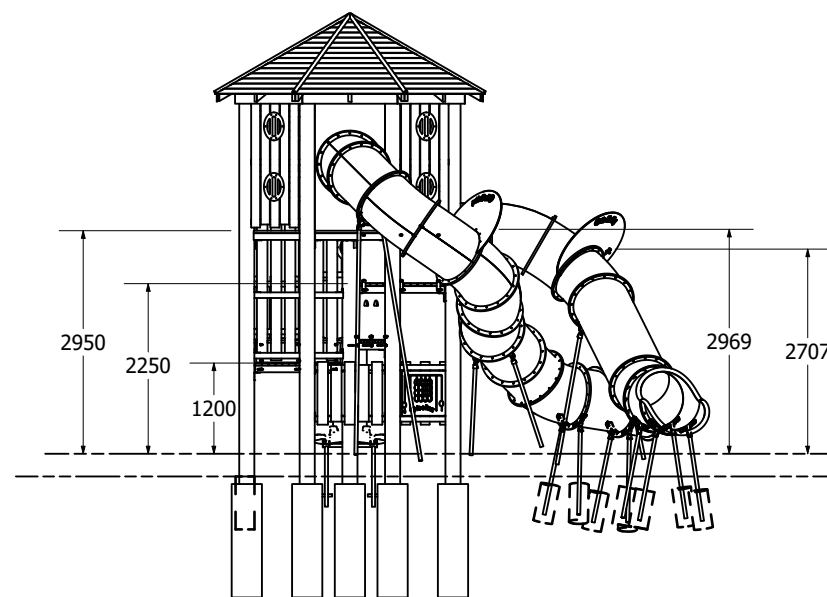
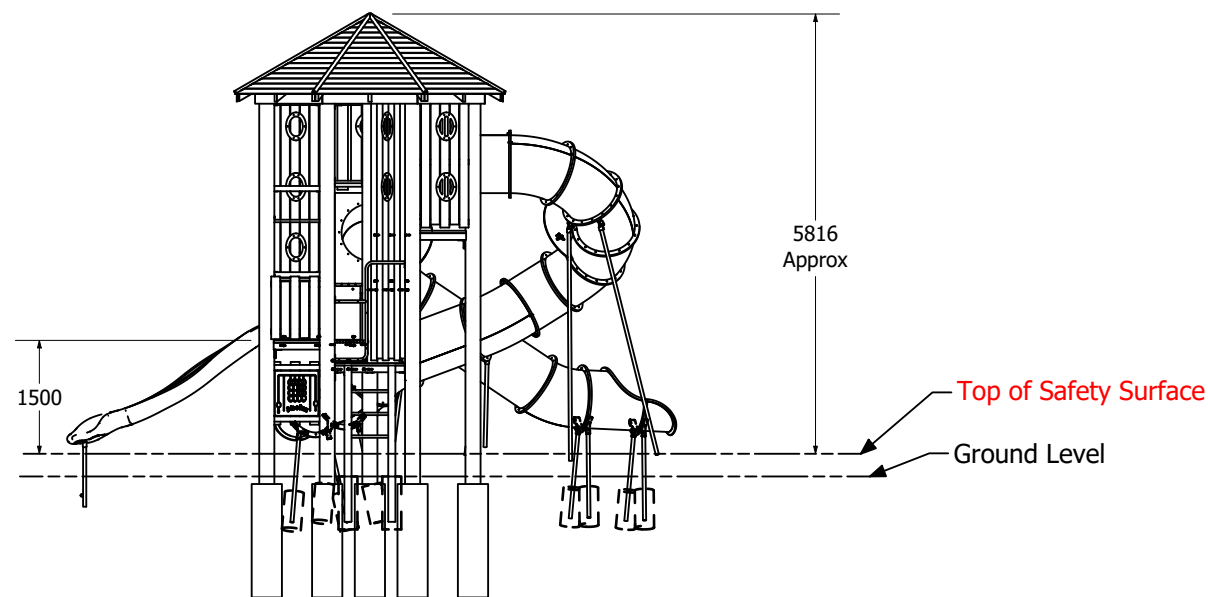
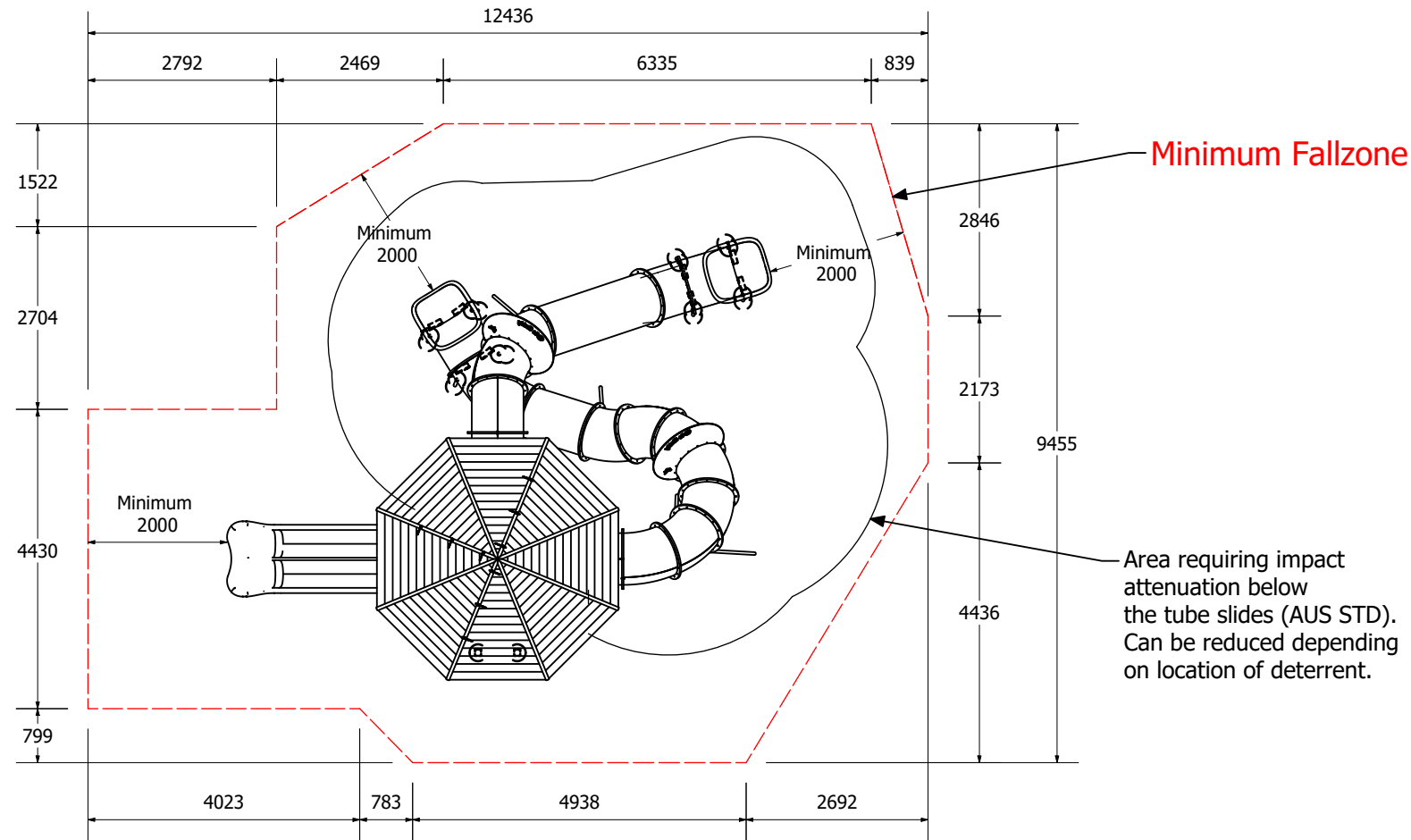
Lighthouse Oct Tower MOTP8301



Lighthouse Oct Tower MOTP8301



Lighthouse Oct Tower MOTP8301



Technical Information	
Main Dimension	12436 x 9455
Total Area	93m ²
Max FHO	1500 (tower) 3000 (slide)
Heaviest Part	--
Compliant to	NZS 5828:2015 AS 4685:2021 (series) EN 1176:2008